

Features

- * LOW CURRENT REQUIREMENTS
- * HIGH LIGHT OUTPUT
- * RELIABLE AND RUGGED
- * IC COMPATIBLE

Absolute Maximum Ratings at T_A=25°C

REVERSE VOLTAGE	5.0 V
D.C. FORWARD CURRENT	30 mA
PULSE CURRENT (1/10 DUTY CYCLE, 0.1 ms PULSE WIDTH)	100 mA
OPERATING TEMPERATURE RANGE	-25°C TO +85°C
STORAGE TEMPERATURE RANGE	-25°C TO +100°C
LEAD SOLDERING TEMP. (1.6mm FROM BODY)	260°C FOR 5 SEC

Electrical/Optical Characteristics at T_A=25°C

PART NUMBER	LED MATERIAL	CHIP EMITTING COLOR	LEN'S COLOR		PEAK WAVELENGTH @20mA(nm)	FORWARD VOLTAGE @20mA(V)		LUMINOUS INTENSITY @20mA(mcd)		VIEW ANGLE 2θ _{1/2} (deg)
			G.D.	W.D.		TYP.	MAX.	MIN.	TYP.	
LT9821-81-HE	GaP	GREEN	G.D.	W.D.	567	2.1	3.0	58	96	32
LT9823-81-HE	GaP	GREEN	W.C.	G.C.	567	2.1	3.0	300	500	40

(1) LENS COLOR

G.D. GREEN DIFFUSED

W.D. WHITE DIFFUSED

G.C. GREEN CLEAR

W.C. WATER CLEAR

(2) SPECIFICATIONS ARE SUBJECT TO CHANGE

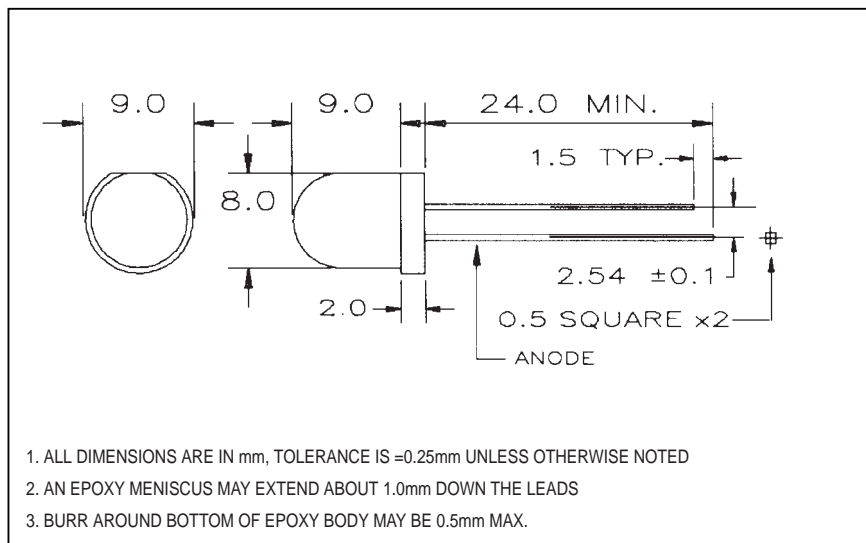
WITHOUT NOTICE.

(3) ALL ABOVE COMPONENTS ARE CONSIDERED.

DEVIATIONS FROM STATED SPECIFICATIONS WILL

REQUIRE A NEW PART NUMBER BE ASSIGNED.

Package Dimensions



Radiation Pattern

