

### Features

- \* BUILT-IN OSCILLATOR AND RESISTOR
- \* HIGH LIGHT OUTPUT
- \* RELIABLE AND RUGGED

### Absolute Maximum Ratings at $T_A=25^\circ\text{C}$

OPERATING VOLTAGE .....	3 TO 5.0 V
PEAK REVERSE VOLTAGE .....	0.4 V
OPERATING TEMPERATURE RANGE .....	$0^\circ\text{C}$ TO $+70^\circ\text{C}$
STORAGE TEMPERATURE RANGE .....	$-25^\circ\text{C}$ TO $+85^\circ\text{C}$
LEAD SOLDERING TEMP. (1.6mm FROM BODY) .....	$260^\circ\text{C}$ FOR 5 SEC

### Electrical/Optical Characteristics at $T_A=25^\circ\text{C}$

PART NUMBER	EMITTING COLOR	LEN'S COLOR	PEAK WAVELENGTH @5V (nm)	APPLIED VOLTAGE (V)		LUMINOUS INTENSITY @5V (mcd)		FLASHING FREQUENCY @5V (Hz)	VIEW ANGLE $2\theta_{1/2}$ (deg)
				TYP.	MAX.	MIN.	TYP.		
LT3373F-91	RED	W.C.	660	3.0	5.0	52.6	87.7	2.4	40
LT3374F-91	RED	R.C.	660	3.0	5.0	52.6	87.7	2.4	40

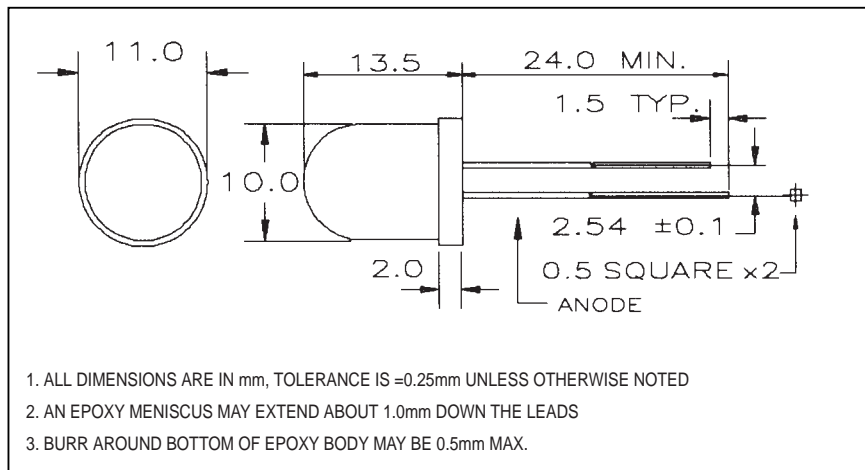
(1) LENS COLOR R.C. RED CLEAR  
W.C. WATER CLEAR

(2) SPECIFICATIONS ARE SUBJECT TO CHANGE WITHOUT NOTICE.

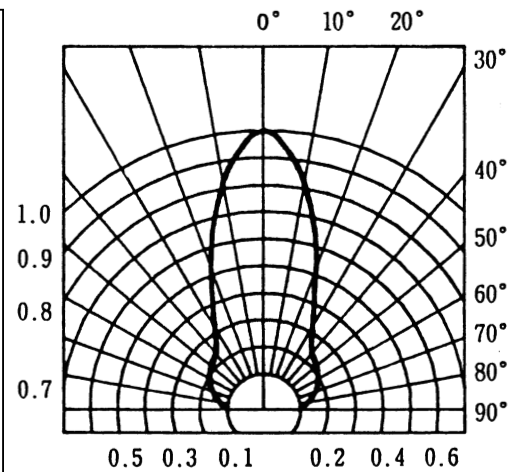
(3) ALL ABOVE COMPONENTS ARE CONSIDERED.

DEVIATIONS FROM STATED SPECIFICATIONS WILL REQUIRE A NEW PART NUMBER BE ASSIGNED.

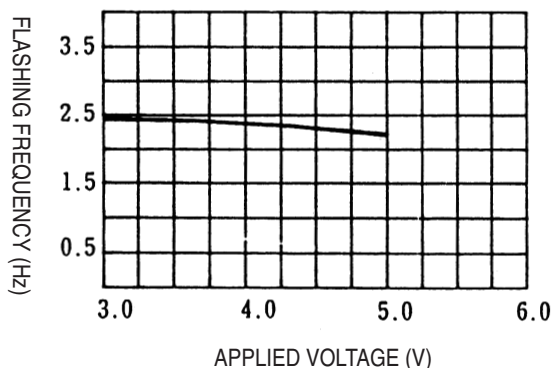
### Package Dimensions



### Radiation Pattern



### Flashing Frequency VS. Applied Voltage



### Forward Current VS. Applied Voltage

