

Features

- * SUPERBRIGHT RED AND ULTRABRIGHT RED
- * HIGH LIGHT OUTPUT
- * RELIABLE AND RUGGED
- * IC COMPATIBLE

Absolute Maximum Ratings at T_A=25°C

REVERSE VOLTAGE (<100 μA).....	4.0 V
D.C. FORWARD CURRENT	30 mA
PULSE CURRENT (1/10 DUTY CYCLE, 0.1 ms PULSE WIDTH)	100 mA
OPERATING TEMPERATURE RANGE	-25°C TO +85°C
STORAGE TEMPERATURE RANGE	-25°C TO +100°C
LEAD SOLDERING TEMP. (1.6mm FROM BODY)	260°C FOR 5 SEC

Electrical/Optical Characteristics at T_A=25°C

PART NUMBER	LED CHIP		LEN'S COLOR	PEAK WAVELENGTH @20mA(nm)	FORWARD VOLTAGE @20mA(V)		LUMINOUS INTENSITY @20mA(mcd)		VIEW ANGLE 2θ _{1/2} (deg)
	MATERIAL	EMITTING COLOR			TYP.	MAX.	MIN.	TYP.	
LT3371-81	GaAlAs ON GaAs	RED	R.D.	660	1.7	2.2	70.6	117.6	41
LT3372-81	GaAlAs ON GaAs	RED	W.D.	660	1.7	2.2	70.6	117.6	41
LT3373-81	GaAlAs ON GaAs	RED	W.C.	660	1.7	2.2	24.0	400	26
LT3374-81	GaAlAs ON GaAs	RED	R.C.	660	1.7	2.2	24.0	400	26
LT3371-81-UR	GaAlAs ON GaAlAs	RED	R.D.	660	1.9	2.5	148.3	247.1	41
LT3372-81-UR	GaAlAs ON GaAlAs	RED	W.D.	660	1.9	2.5	148.3	247.1	41
LT3373-81-UR	GaAlAs ON GaAlAs	RED	W.C.	660	1.9	2.5	504.0	840.0	26
LT3374-81-UR	GaAlAs ON GaAlAs	RED	R.C.	660	1.9	2.5	504.0	840.0	26

(1) LENS COLOR

R.D. RED DIFFUSED

W.D. WHITE DIFFUSED

R.C. RED CLEAR

W.C. WATER CLEAR

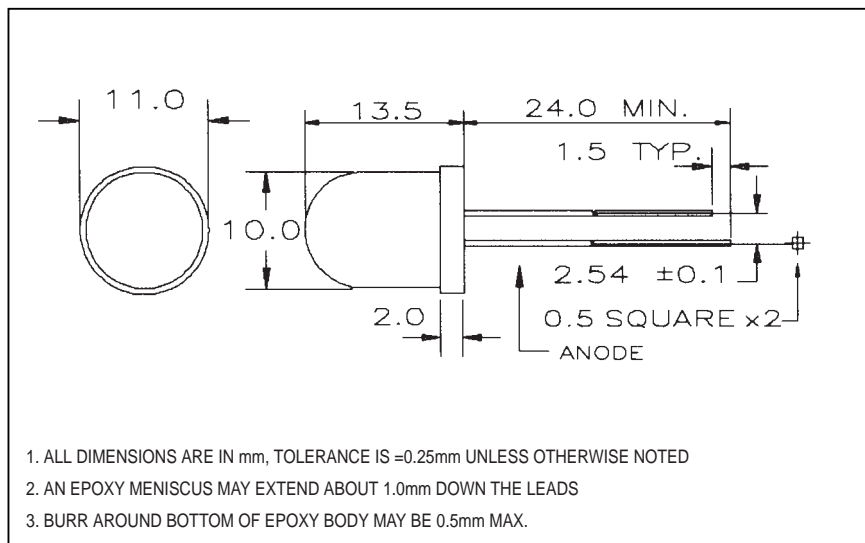
(2) SPECIFICATIONS ARE SUBJECT TO CHANGE

WITHOUT NOTICE.

(3) ALL ABOVE COMPONENTS ARE CONSIDERED.

DEVIATIONS FROM STATED SPECIFICATIONS WILL REQUIRE A NEW PART NUMBER BE ASSIGNED.

Package Dimensions



Radiation Pattern

