

Features

- * ULTRABRIGHT YELLOW
- * HIGH LIGHT OUTPUT
- * RELIABLE AND RUGGED
- * IC COMPATIBLE

Absolute Maximum Ratings at T_A=25°C

REVERSE VOLTAGE (<100 μA).....	4.0 V
D.C. FORWARD CURRENT	30 mA
PULSE CURRENT (1/10 DUTY CYCLE, 0.1 ms PULSE WIDTH)	100 mA
OPERATING TEMPERATURE RANGE	-25°C TO +85°C
STORAGE TEMPERATURE RANGE	-25°C TO +100°C
LEAD SOLDERING TEMP. (1.6mm FROM BODY)	260°C FOR 5 SEC

Electrical/Optical Characteristics at T_A=25°C

PART NUMBER	LED CHIP		LEN'S COLOR	PEAK WAVELENGTH @20mA(nm)	FORWARD VOLTAGE @20mA(V)		LUMINOUS INTENSITY @20mA(mcd)		VIEW ANGLE 2θ _{1/2} (deg)
	MATERIAL	EMITTING COLOR			TYP.	MAX.	MIN.	TYP.	
LT3331-81-UR	InGaAlP ON GaAs	YELLOW	Y.D.	595	2.1	2.4	420	700	34
LT3332-81-UR	InGaAlP ON GaAs	YELLOW	W.D.	595	2.1	2.4	420	700	34
LT3333-81-UR	InGaAlP ON GaAs	YELLOW	W.C.	595	2.1	2.4	840	1400	10
LT3334-81-UR	InGaAlP ON GaAs	YELLOW	Y.C.	595	2.1	2.4	840	1400	10

(1) LENS COLOR

Y.D. YELLOW DIFFUSED

W.D. WHITE DIFFUSED

Y.C. YELLOW CLEAR

W.C. WATER CLEAR

(2) SPECIFICATIONS ARE SUBJECT TO CHANGE

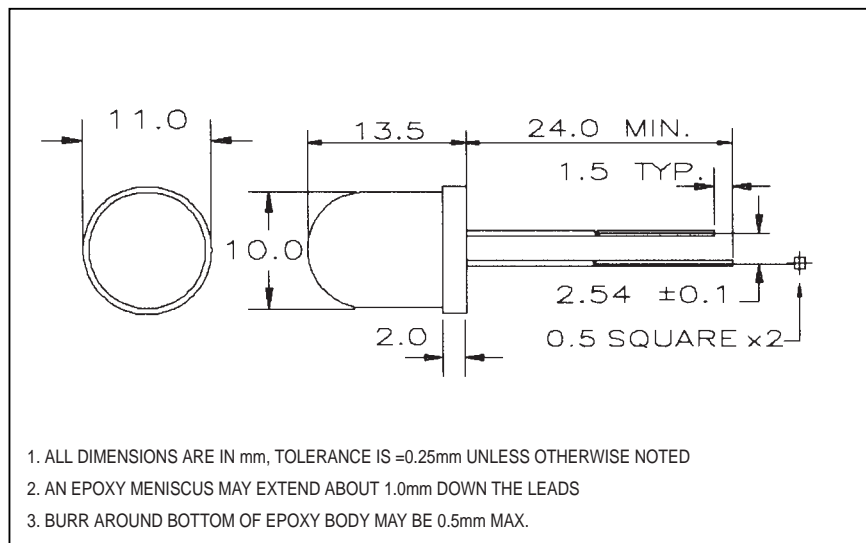
WITHOUT NOTICE.

(3) ALL ABOVE COMPONENTS ARE CONSIDERED.

DEVIATIONS FROM STATED SPECIFICATIONS WILL

REQUIRE A NEW PART NUMBER BE ASSIGNED.

Package Dimensions



Radiation Pattern

