

### Features

- \* HIGH EFFICIENCY GREEN
- \* HIGH LIGHT OUTPUT
- \* RELIABLE AND RUGGED
- \* IC COMPATIBLE

### Absolute Maximum Ratings at T<sub>A</sub>=25°C

REVERSE VOLTAGE (<100 μA).....	5.0 V
D.C. FORWARD CURRENT .....	30 mA
PULSE CURRENT (1/10 DUTY CYCLE, 0.1 ms PULSE WIDTH) .....	100 mA
OPERATING TEMPERATURE RANGE .....	-25°C TO +85°C
STORAGE TEMPERATURE RANGE .....	-25°C TO +100°C
LEAD SOLDERING TEMP. (1.6mm FROM BODY) .....	260°C FOR 5 SEC

### Electrical/Optical Characteristics at T<sub>A</sub>=25°C

PART NUMBER	LED CHIP		LEN'S COLOR	PEAK WAVELENGTH @20mA(nm)	FORWARD VOLTAGE @20mA(V)		LUMINOUS INTENSITY @20mA(mcd)		VIEW ANGLE 2θ <sub>1/2</sub> (deg)
	MATERIAL	EMITTING COLOR			TYP.	MAX.	MIN.	TYP.	
LT3321-81-HE	GaP	GREEN	G.D.	567	2.1	3.0	54	90	34
LT3322-81-HE	GaP	GREEN	W.D.	567	2.1	3.0	54	90	34
LT3323-81-HE	GaP	GREEN	W.C.	567	2.1	3.0	150	250	22
LT3324-81-HE	GaP	GREEN	G.C.	567	2.1	3.0	150	250	22

(1) LENS COLOR

G.D. GREEN DIFFUSED

W.D. WHITE DIFFUSED

G.C. GREEN CLEAR

W.C. WATER CLEAR

(2) SPECIFICATIONS ARE SUBJECT TO CHANGE

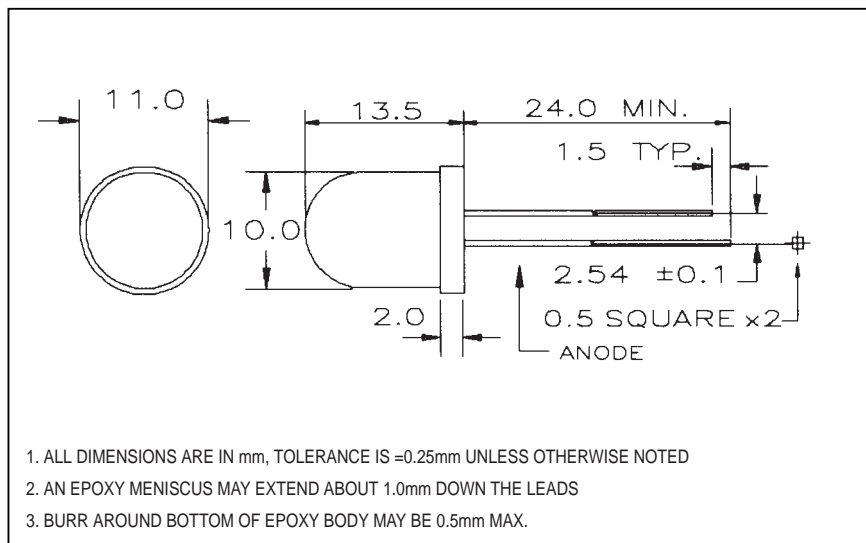
WITHOUT NOTICE.

(3) ALL ABOVE COMPONENTS ARE CONSIDERED.

DEVIATIONS FROM STATED SPECIFICATIONS WILL

REQUIRE A NEW PART NUMBER BE ASSIGNED.

### Package Dimensions



### Radiation Pattern

