

Features

- * LOW CURRENT REQUIREMENTS
- * HIGH LIGHT OUTPUT
- * RELIABLE AND RUGGED
- * IC COMPATIBLE

Absolute Maximum Ratings at T_A=25°C

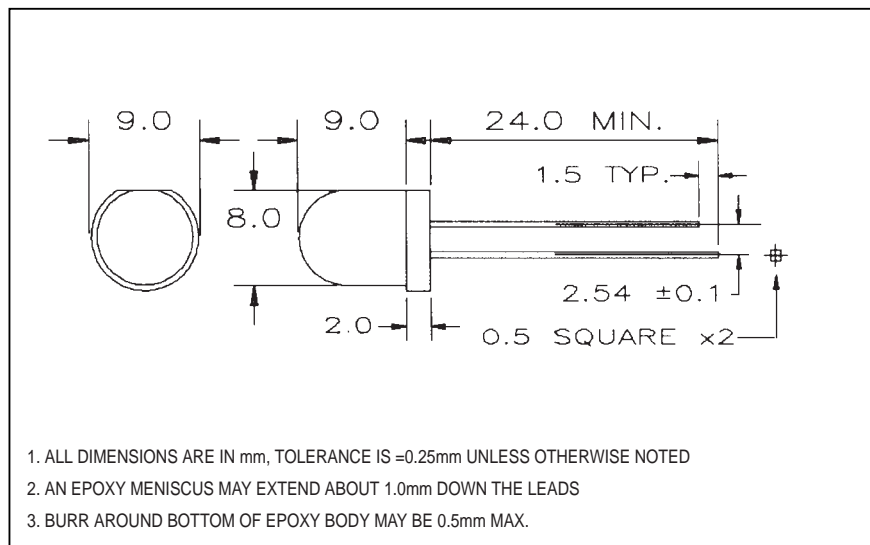
REVERSE VOLTAGE	GaAsP RED 3.0 V, OTHER 5.0 V
D.C. FORWARD CURRENT	30 mA
PULSE CURRENT (1/10 DUTY CYCLE, 0.1 ms PULSE WIDTH)	100 mA
OPERATING TEMPERATURE RANGE	-25°C TO +85°C
STORAGE TEMPERATURE RANGE	-25°C TO +100°C
LEAD SOLDERING TEMP. (1.6mm FROM BODY)	260°C FOR 5 SEC

Electrical/Optical Characteristics at T_A=25°C

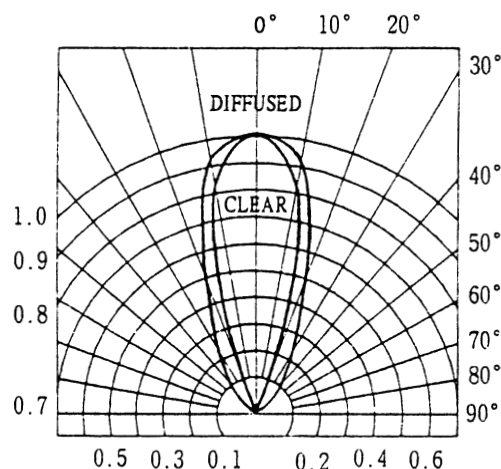
PART NUMBER	LED CHIP		LEN'S COLOR		PEAK WAVELENGTH @20mA(nm)	FORWARD VOLTAGE @20mA(V)		LUMINOUS INTENSITY @20mA(mcd)		VIEW ANGLE 2θ _{1/2} (deg)	
	MATERIAL	EMITTING COLOR				TYP.	MAX.	MIN.	TYP.		
LT9811-81	LT9812-81	GaAsP	RED	R.D.	W.D.	655	1.7	2.0	1.6	2.7	40
LT9811G-81	LT9812G-81	GaP	RED	R.D.	W.D.	700	2.1	3.0	2.4	4.1	40
LT9821-81	LT9822-81	GaP	GREEN	G.D.	W.D.	567	2.1	3.0	12.0	20.0	40
LT9831-81	LT9832-81	GaAsP ON GaP	YELLOW	Y.D.	W.D.	585	2.1	3.0	9.9	16.4	40
LT9841-81	LT9842-81	GaAsP ON GaP	ORANGE	O.D.	W.D.	635	2.1	3.0	13.9	23.2	40
LT9841R-81		GaAsP ON GaP	ORANGE	R.D.		635	2.1	3.0	13.9	23.2	40
LT9813-81	LT9814-81	GaAsP	RED	W.C.	R.C.	655	1.7	2.0	5.5	9.2	32
LT9813G-81	LT9814G-81	GaP	RED	W.C.	R.C.	700	2.1	3.0	8.2	13.7	32
LT9823-81	LT9824-81	GaP	GREEN	W.C.	G.C.	567	2.1	3.0	40.9	68.2	32
LT9833-81	LT9834-81	GaAsP ON GaP	YELLOW	W.C.	Y.C.	585	2.1	3.0	33.5	55.8	32
LT9843-81	LT9844-81	GaAsP ON GaP	ORANGE	W.C.	O.C.	635	2.1	3.0	47.3	78.8	32
	LT9844R-81	GaAsP ON GaP	ORANGE		R.C.	635	2.1	3.0	47.3	78.8	32

- (1) LENS COLOR G.D. GREEN DIFFUSED Y.C. YELLOW CLEAR (2) SPECIFICATIONS ARE SUBJECT TO CHANGE WITHOUT NOTICE.
R.D. RED DIFFUSED O.D. ORANGE DIFFUSED G.C. GREEN CLEAR (3) ALL ABOVE COMPONENTS ARE CONSIDERED. DEVIATIONS FROM STATED SPECIFICATIONS WILL REQUIRE A NEW PART NUMBER BE ASSIGNED.
Y.D. YELLOW DIFFUSED W.C. WATER CLEAR O.C. ORANGE CLEAR
W.D. WHITE DIFFUSED R.C. RED CLEAR

Package Dimensions



Radiation Pattern



Features

- * LOW CURRENT REQUIREMENTS
- * HIGH LIGHT OUTPUT
- * RELIABLE AND RUGGED
- * IC COMPATIBLE

Absolute Maximum Ratings at T_A=25°C

REVERSE VOLTAGE	5.0 V
D.C. FORWARD CURRENT	30 mA
PULSE CURRENT (1/10 DUTY CYCLE, 0.1 ms PULSE WIDTH)	100 mA
OPERATING TEMPERATURE RANGE	-25°C TO +85°C
STORAGE TEMPERATURE RANGE	-25°C TO +100°C
LEAD SOLDERING TEMP. (1.6mm FROM BODY)	260°C FOR 5 SEC

Electrical/Optical Characteristics at T_A=25°C

PART NUMBER	LED MATERIAL	CHIP EMITTING COLOR	LEN'S COLOR		PEAK WAVELENGTH @20mA(nm)	FORWARD VOLTAGE @20mA(V)		LUMINOUS INTENSITY @20mA(mcd)		VIEW ANGLE 2θ _{1/2} (deg)
			G.D.	W.D.		TYP.	MAX.	MIN.	TYP.	
LT9821-81-HE	GaP	GREEN	G.D.	W.D.	567	2.1	3.0	58	96	32
LT9823-81-HE	GaP	GREEN	W.C.	G.C.	567	2.1	3.0	300	500	40

(1) LENS COLOR

G.D. GREEN DIFFUSED

W.D. WHITE DIFFUSED

G.C. GREEN CLEAR

W.C. WATER CLEAR

(2) SPECIFICATIONS ARE SUBJECT TO CHANGE

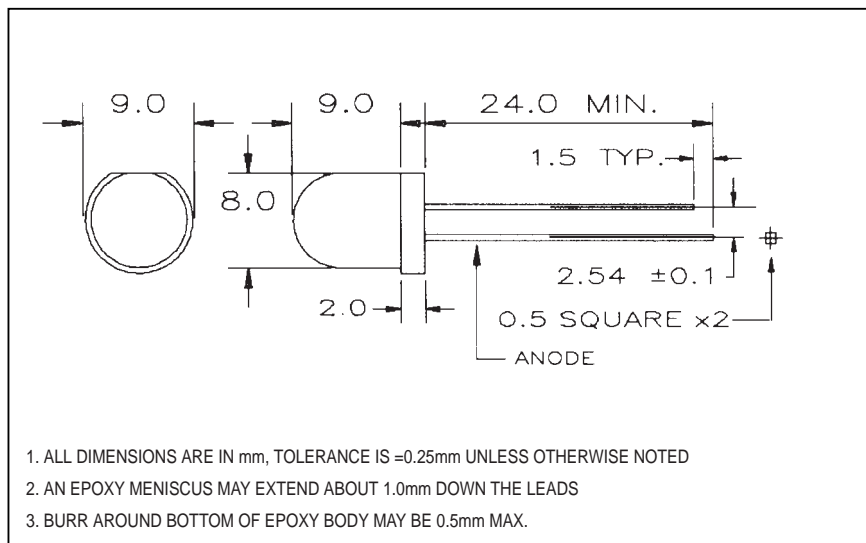
WITHOUT NOTICE.

(3) ALL ABOVE COMPONENTS ARE CONSIDERED.

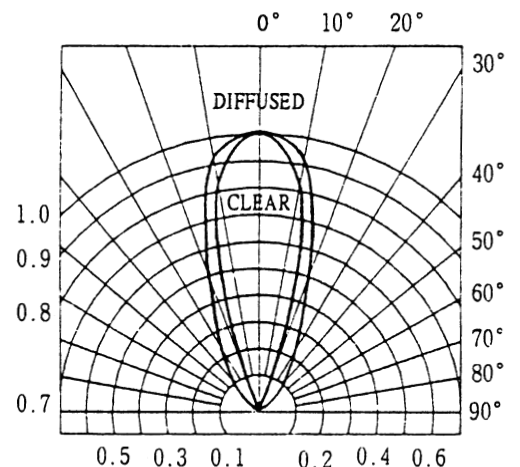
DEVIATIONS FROM STATED SPECIFICATIONS WILL

REQUIRE A NEW PART NUMBER BE ASSIGNED.

Package Dimensions



Radiation Pattern



Features

- * SUPERBRIGHT RED AND ULTRABRIGHT RED
- * HIGH LIGHT OUTPUT
- * RELIABLE AND RUGGED
- * IC COMPATIBLE

Absolute Maximum Ratings at T_A=25°C

REVERSE VOLTAGE	4.0 V
D.C. FORWARD CURRENT	30 mA
PULSE CURRENT (1/10 DUTY CYCLE, 0.1 ms PULSE WIDTH)	100 mA
OPERATING TEMPERATURE RANGE	-25°C TO +85°C
STORAGE TEMPERATURE RANGE	-25°C TO +100°C
LEAD SOLDERING TEMP. (1.6mm FROM BODY)	260°C FOR 5 SEC

Electrical/Optical Characteristics at T_A=25°C

PART NUMBER	LED CHIP		LEN'S COLOR	PEAK WAVELENGTH @20mA(nm)	FORWARD VOLTAGE @20mA(V)		LUMINOUS INTENSITY @20mA(mcd)		VIEW ANGLE 2θ _{1/2} (deg)
	MATERIAL	EMITTING COLOR			TYP.	MAX.	MIN.	TYP.	
LT9871-81	GaAlAs ON GaAs	RED	R.D.	660	1.7	2.2	180	300	39
LT9872-81	GaAlAs ON GaAs	RED	W.D.	660	1.7	2.2	180	300	39
LT9873-81	GaAlAs ON GaAs	RED	W.C.	660	1.7	2.2	600	1000	28
LT9874-81	GaAlAs ON GaAs	RED	R.C.	660	1.7	2.2	600	1000	28
LT9871-81-UR	GaAlAs	RED	R.D.	660	1.7	2.2	360	600	39
LT9872-81-UR	GaAlAs	RED	W.D.	660	1.7	2.2	360	600	39
LT9873-81-UR	GaAlAs	RED	W.C.	660	1.7	2.2	1200	2000	28
LT9874-81-UR	GaAlAs	RED	R.C.	660	1.7	2.2	1200	2000	28

(1) LENS COLOR

R.D. RED DIFFUSED

W.D. WHITE DIFFUSED

R.C. RED CLEAR

W.C. WATER CLEAR

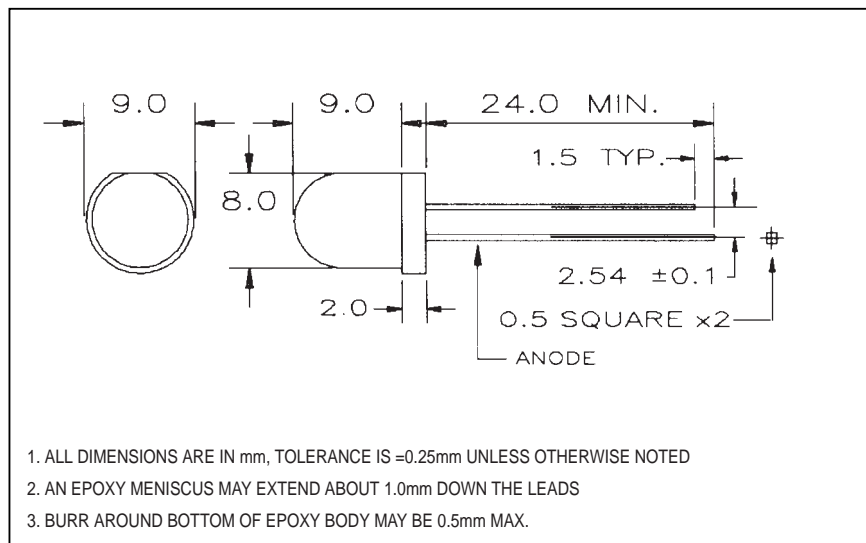
(2) SPECIFICATIONS ARE SUBJECT TO CHANGE

WITHOUT NOTICE.

(3) ALL ABOVE COMPONENTS ARE CONSIDERED.

DEVIATIONS FROM STATED SPECIFICATIONS WILL REQUIRE A NEW PART NUMBER BE ASSIGNED.

Package Dimensions



Radiation Pattern

