

Features

- * LOW CURRENT REQUIREMENTS
- * HIGH LIGHT OUTPUT
- * RELIABLE AND RUGGED
- * IC COMPATIBLE

Absolute Maximum Ratings at T_A=25°C

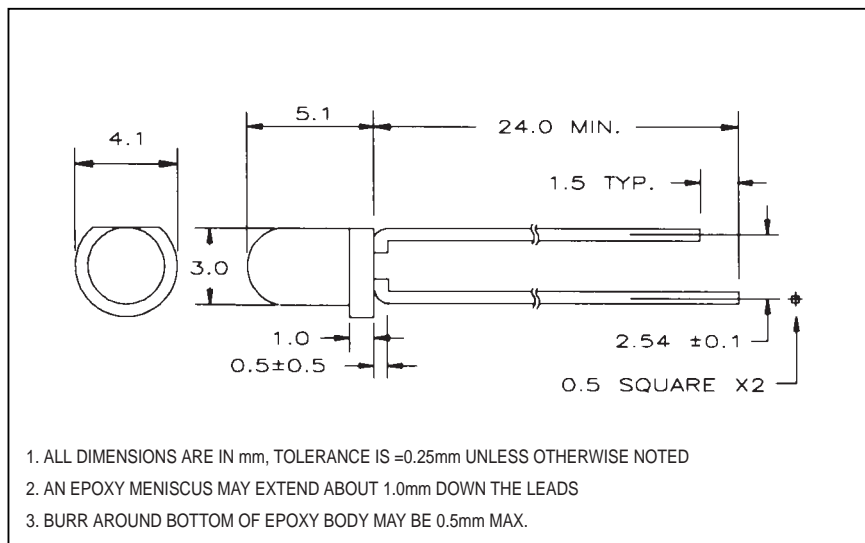
REVERSE VOLTAGE	GaAsP RED 3.0 V, OTHER 5.0 V
D.C. FORWARD CURRENT	30 mA
PULSE CURRENT (1/10 DUTY CYCLE, 0.1 ms PULSE WIDTH)	100 mA
OPERATING TEMPERATURE RANGE	-25°C TO +85°C
STORAGE TEMPERATURE RANGE	-25°C TO +100°C
LEAD SOLDERING TEMP. (1.6mm FROM BODY)	260°C FOR 5 SEC

Electrical/Optical Characteristics at T_A=25°C

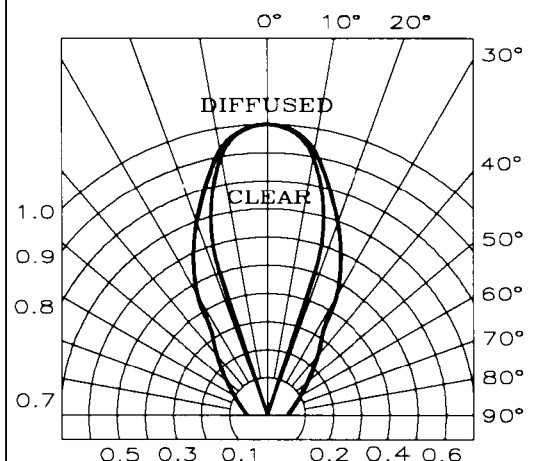
PART NUMBER	LED CHIP		LEN'S COLOR		PEAK WAVELENGTH @20mA(nm)	FORWARD VOLTAGE @20mA(V)		LUMINOUS INTENSITY @20mA(mcd)		VIEW ANGLE 2θ _{1/2} (deg)	
	MATERIAL	EMITTING COLOR				TYP.	MAX.	MIN.	TYP.		
LT0311-41	LT0312-41	GaAsP	RED	R.D.	W.D.	655	1.7	2.0	1.1	1.8	56
LT0311G-41	LT0312G-41	GaP	RED	R.D.	W.D.	700	2.1	3.0	1.6	2.7	56
LT0321-41	LT0322-41	GaP	GREEN	G.D.	W.D.	567	2.1	3.0	8.0	13.3	56
LT0331-41	LT0332-41	GaAsP ON GaP	YELLOW	Y.D.	W.D.	585	2.1	3.0	6.6	11.0	56
LT0341-41	LT0342-41	GaAsP ON GaP	ORANGE	O.D.	W.D.	635	2.1	3.0	9.3	15.5	56
LT0341R-41		GaAsP ON GaP	ORANGE	R.D.		635	2.1	3.0	9.3	15.5	56
LT0313-41	LT0314-41	GaAsP	RED	W.C.	R.C.	655	1.7	2.0	3.7	6.1	36
LT0313G-41	LT0314G-41	GaP	RED	W.C.	R.C.	700	2.1	3.0	5.5	9.2	36
LT0323-41	LT0324-41	GaP	GREEN	W.C.	G.C.	567	2.1	3.0	27.0	45.0	36
LT0333-41	LT0334-41	GaAsP ON GaP	YELLOW	W.C.	Y.C.	585	2.1	3.0	22.6	37.6	36
LT0343-41	LT0344-41	GaAsP ON GaP	ORANGE	W.C.	O.C.	635	2.1	3.0	31.7	52.9	36
	LT0344R-41	GaAsP ON GaP	ORANGE		R.C.	635	2.1	3.0	31.7	52.9	36

- (1) LENS COLOR G.D. GREEN DIFFUSED Y.C. YELLOW CLEAR (2) SPECIFICATIONS ARE SUBJECT TO CHANGE WITHOUT NOTICE.
R.D. RED DIFFUSED O.D. ORANGE DIFFUSED G.C. GREEN CLEAR (3) ALL ABOVE COMPONENTS ARE CONSIDERED. DEVIATIONS FROM STATED SPECIFICATIONS WILL REQUIRE A NEW PART NUMBER BE ASSIGNED.
Y.D. YELLOW DIFFUSED W.C. WATER CLEAR O.C. ORANGE CLEAR
W.D. WHITE DIFFUSED R.C. RED CLEAR

Package Dimensions



Radiation Pattern



Features

- * LOW CURRENT REQUIREMENTS
- * HIGH LIGHT OUTPUT
- * RELIABLE AND RUGGED
- * IC COMPATIBLE

Absolute Maximum Ratings at $T_A=25^\circ\text{C}$

REVERSE VOLTAGE	GaAsP RED 3.0 V, OTHER 5.0 V
D.C. FORWARD CURRENT	30 mA
PULSE CURRENT (1/10 DUTY CYCLE, 0.1 ms PULSE WIDTH)	100 mA
OPERATING TEMPERATURE RANGE	-25°C TO +85°C
STORAGE TEMPERATURE RANGE	-25°C TO +100°C
LEAD SOLDERING TEMP. (1.6mm FROM BODY)	260°C FOR 5 SEC

Electrical/Optical Characteristics at $T_A=25^\circ\text{C}$

PART NUMBER	LED CHIP	MATERIAL	EMITTING COLOR	LEN'S COLOR		PEAK WAVELENGTH @20mA(nm)	FORWARD VOLTAGE @20mA(V)		LUMINOUS INTENSITY @20mA(mcd)		VIEW ANGLE $2\theta_{1/2}$ (deg)
							TYP.	MAX.	MIN.	TYP.	
LT03C1-41	LT03C2-41	GaP	HI-EFF. GREEN	G.D.	W.D.	567	2.1	3.0	10.4	17.3	56
LT03C3-41	LT03C4-41	GaP	HI-EFF. GREEN	W.C.	G.C.	567	2.1	3.0	35.1	58.5	36
LT03A1-41	LT03A2-41	GaAsP ON GaP	AMBER	A.D.	W.D.	610	2.1	3.0	9.3	15.5	56
LT03A3-41	LT03A4-41	GaAsP ON GaP	AMBER	W.C.	A.C.	610	2.1	3.0	31.7	52.9	36
LT03P1-41	LT03P2-41	GaP	PURE-GREEN	G.D.	W.D.	555	2.1	3.0	2.7	4.5	56
LT03P3-41	LT03P4-41	GaP	PURE-GREEN	W.C.	G.C.	555	2.1	3.0	9.0	15.0	36

(1) LENS COLOR

G.D. GREEN DIFFUSED

G.C. GREEN CLEAR

W.D. WHITE DIFFUSED

W.C. WATER CLEAR

A.D. AMBER DIFFUSED

A.C. AMBER CLEAR

(2) SPECIFICATIONS ARE SUBJECT TO CHANGE

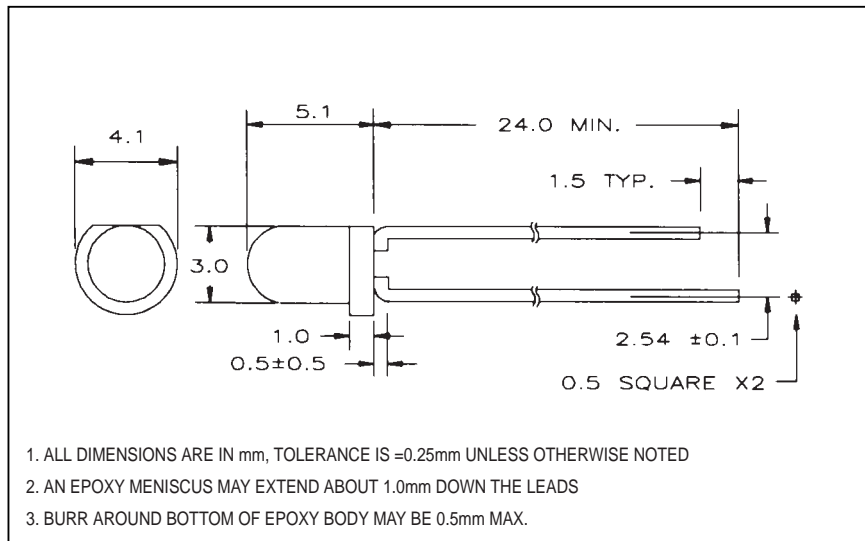
WITHOUT NOTICE.

(3) ALL ABOVE COMPONENTS ARE CONSIDERED.

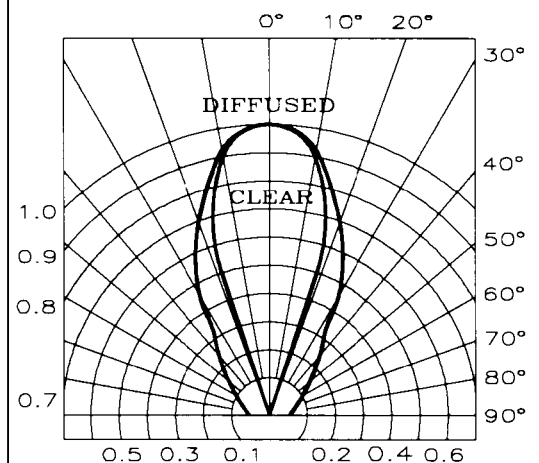
DEVIATIONS FROM STATED SPECIFICATIONS WILL

REQUIRE A NEW PART NUMBER BE ASSIGNED.

Package Dimensions



Radiation Pattern



Features

- * LOW CURRENT REQUIREMENTS
- * HIGH LIGHT OUTPUT
- * RELIABLE AND RUGGED
- * IC COMPATIBLE

Absolute Maximum Ratings at T_A=25°C

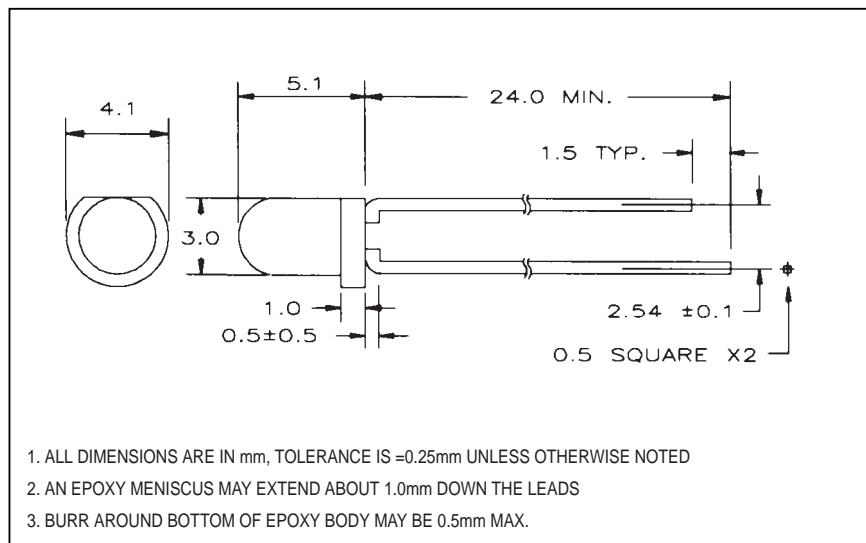
REVERSE VOLTAGE	GaAsP RED 3.0 V, OTHER 5.0 V
D.C. FORWARD CURRENT	30 mA
PULSE CURRENT (1/10 DUTY CYCLE, 0.1 ms PULSE WIDTH)	100 mA
OPERATING TEMPERATURE RANGE	-25°C TO +85°C
STORAGE TEMPERATURE RANGE	-25°C TO +100°C
LEAD SOLDERING TEMP. (1.6mm FROM BODY)	260°C FOR 5 SEC

Electrical/Optical Characteristics at T_A=25°C

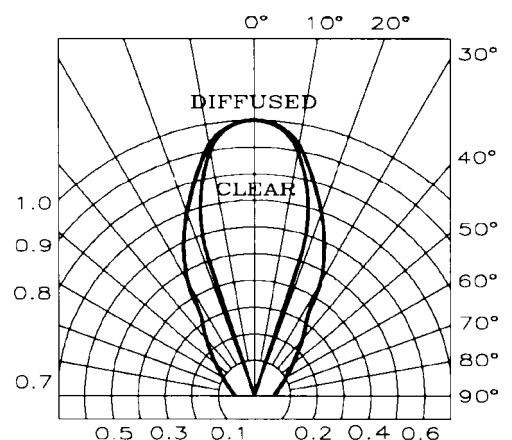
PART	NUMBER	LED CHIP		LEN'S COLOR		PEAK WAVELENGTH @20mA(nm)	FORWARD VOLTAGE @20mA(V)		LUMINOUS INTENSITY @20mA(mcd)		VIEW ANGLE 2θ _{1/2} (deg)
		MATERIAL	EMITTING COLOR				TYP.	MAX.	MIN.	TYP.	
_____	_____	GaAsP	RED	R.D.	W.D.	655	—	—	—	—	_____
_____	_____	GaP	RED	R.D.	W.D.	700	—	—	—	—	_____
LT0321-41-LC	LT0322-41-LC	GaP	GREEN	G.D.	W.D.	567	1.8	2.2	0.9	1.5	56
LT0331-41-LC	LT0332-41-LC	GaAsP ON GaP	YELLOW	Y.D.	W.D.	585	1.8	2.2	0.7	1.2	56
LT0341-41-LC	LT0342-41-LC	GaAsP ON GaP	ORANGE	O.D.	W.D.	635	1.8	2.2	1.0	1.7	56
LT0341R-41-LC		GaAsP ON GaP	ORANGE	R.D.		635	1.8	2.2	1.0	1.7	56
_____	_____	GaAsP	RED	W.C.	R.C.	655	—	—	—	—	_____
_____	_____	GaP	RED	W.C.	R.C.	700	—	—	—	—	_____
LT0323-41-LC	LT0324-41-LC	GaP	GREEN	W.C.	G.C.	567	1.8	2.2	3.0	5.0	36
LT0333-41-LC	LT0334-41-LC	GaAsP ON GaP	YELLOW	W.C.	Y.C.	585	1.8	2.2	2.5	4.2	36
LT0343-41-LC	LT0344-41-LC	GaAsP ON GaP	ORANGE	W.C.	O.C.	635	1.8	2.2	3.5	5.9	36
	LT0344R-41-LC	GaAsP ON GaP	ORANGE		R.C.	635	1.8	2.2	3.5	5.9	36

- (1) LENS COLOR G.D. GREEN DIFFUSED Y.C. YELLOW CLEAR (2) SPECIFICATIONS ARE SUBJECT TO CHANGE WITHOUT NOTICE.
- R.D. RED DIFFUSED O.D. ORANGE DIFFUSED G.C. GREEN CLEAR (3) ALL ABOVE COMPONENTS ARE CONSIDERED. DEVIATIONS FROM STATED SPECIFICATIONS WILL REQUIRE A NEW PART NUMBER BE ASSIGNED.
- Y.D. YELLOW DIFFUSED W.C. WATER CLEAR O.C. ORANGE CLEAR
- W.D. WHITE DIFFUSED R.C. RED CLEAR

Package Dimensions



Radiation Pattern



Features

- * HIGH INTENSITY GREEN
- * HIGH OUTPUT
- * RELIABLE AND RUGGED
- * IC COMPATIBLE

Absolute Maximum Ratings at $T_A=25^\circ\text{C}$

REVERSE VOLTAGE	5.0 V
D.C. FORWARD CURRENT	30 mA
PULSE CURRENT (1/10 DUTY CYCLE, 0.1 ms PULSE WIDTH)	100 mA
OPERATING TEMPERATURE RANGE	-25°C TO +85°C
STORAGE TEMPERATURE RANGE	-25°C TO +100°C
LEAD SOLDERING TEMP. (1.6mm FROM BODY)	260°C FOR 5 SEC

Electrical/Optical Characteristics at $T_A=25^\circ\text{C}$

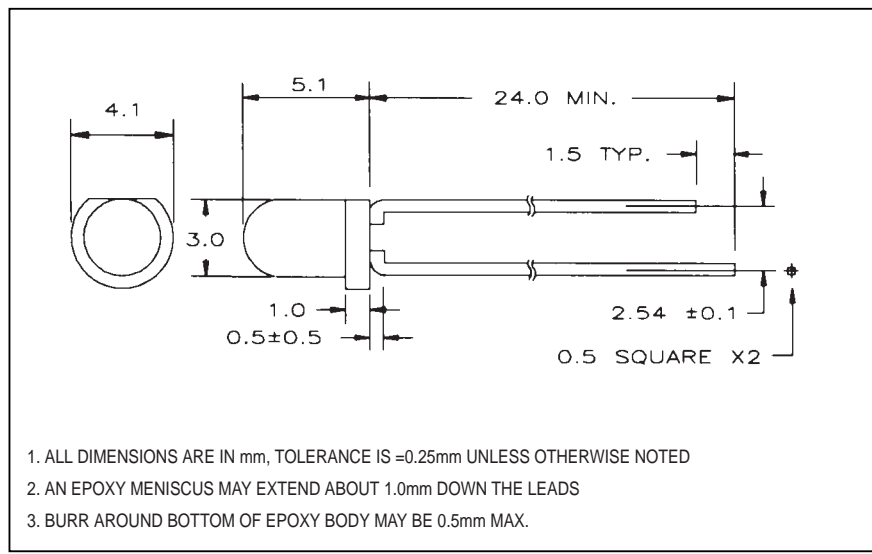
PART NUMBER	LED CHIP	MATERIAL	EMITTING COLOR	LEN'S COLOR		PEAK WAVELENGTH @20mA(nm)	FORWARD VOLTAGE @20mA(V)		LUMINOUS INTENSITY @20mA(mcd)		VIEW ANGLE $2\theta_{1/2}$ (deg)
				G.D.	W.D.		TYP.	MAX.	MIN.	TYP.	
LT0321-41-HE	LT0322-41-HE	GaP	GREEN	G.D.	W.D.	567	2.1	3.0	19.2	32.0	56
LT0323-41-HE	LT0324-41-HE	GaP	GREEN	W.C.	G.C.	567	2.1	3.0	65.3	108.8	36

(1) LENS COLOR
 G.D. GREEN DIFFUSED
 W.D. WHITE DIFFUSED
 G.C. GREEN CLEAR
 W.C. WATER CLEAR

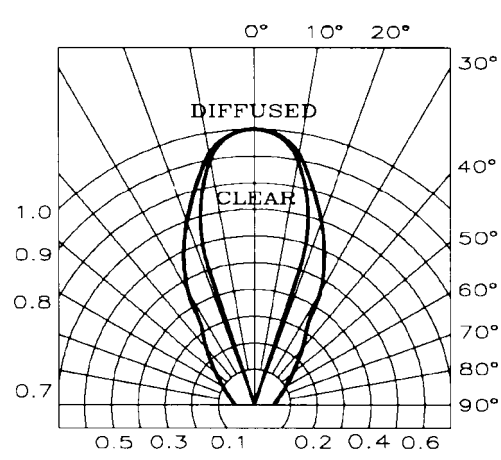
(2) SPECIFICATIONS ARE SUBJECT TO CHANGE WITHOUT NOTICE.

(3) ALL ABOVE COMPONENTS ARE CONSIDERED. DEVIATIONS FROM STATED SPECIFICATIONS WILL REQUIRE A NEW PART NUMBER BE ASSIGNED.

Package Dimensions



Radiation Pattern



Features

- * HIGH INTENSITY GREEN
- * HIGH LIGHT OUTPUT
- * RELIABLE AND RUGGED
- * IC COMPATIBLE

Absolute Maximum Ratings at T_A=25°C

REVERSE VOLTAGE (<100 μA)	5.0 V
D.C. FORWARD CURRENT	30 mA
PULSE CURRENT (1/10 DUTY CYCLE, 0.1 ms PULSE WIDTH)	100 mA
OPERATING TEMPERATURE RANGE	-25°C TO +85°C
STORAGE TEMPERATURE RANGE	-25°C TO +100°C
LEAD SOLDERING TEMP. (1.6mm FROM BODY)	260°C FOR 5 SEC

Electrical/Optical Characteristics at T_A=25°C

PART NUMBER	LED CHIP	MATERIAL	EMITTING COLOR	LEN'S COLOR		PEAK WAVELENGTH @20mA(nm)	FORWARD VOLTAGE @20mA(V)		LUMINOUS INTENSITY @20mA(mcd)		VIEW ANGLE 2θ _{1/2} (deg)
				G.D.	W.D.		TYP.	MAX.	MIN.	TYP.	
LT0321-43-HE	LT0322-43-HE	GaP	GREEN	G.D.	W.D.	567	2.1	3.0	19.2	32.0	56
LT0323-43-HE	LT0324-43-HE	GaP	GREEN	W.C.	G.C.	567	2.1	3.0	65.3	108.8	36

(1) LENS COLOR

G.D. GREEN DIFFUSED

W.D. WHITE DIFFUSED

G.C. GREEN CLEAR

W.C. WATER CLEAR

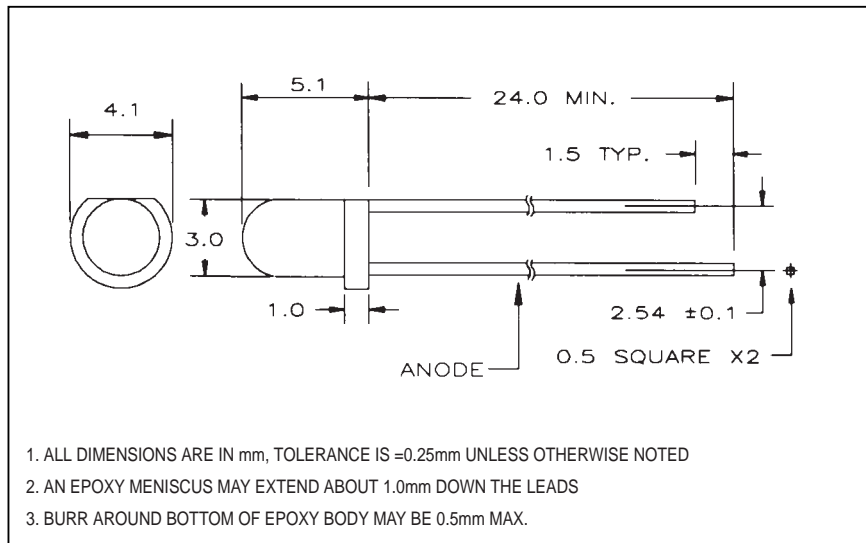
(2) SPECIFICATIONS ARE SUBJECT TO CHANGE

WITHOUT NOTICE.

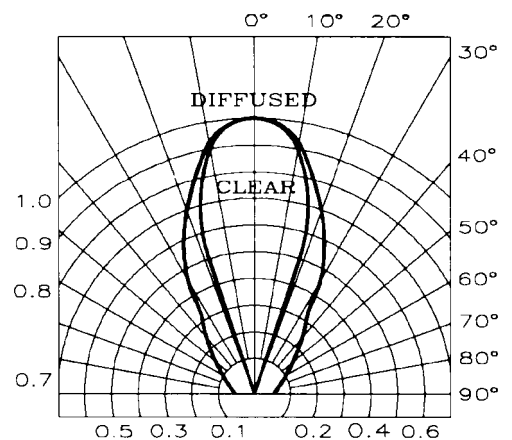
(3) ALL ABOVE COMPONENTS ARE CONSIDERED.

DEVIATIONS FROM STATED SPECIFICATIONS WILL REQUIRE A NEW PART NUMBER BE ASSIGNED.

Package Dimensions



Radiation Pattern



Features

- * ULTRABRIGHT YELLOW
- * HIGH LIGHT OUTPUT
- * RELIABLE AND RUGGED
- * IC COMPATIBLE

Absolute Maximum Ratings at $T_A=25^\circ\text{C}$

REVERSE VOLTAGE (<math><100\mu\text{A}</math>)	4.0 V
D.C. FORWARD CURRENT	30 mA
PULSE CURRENT (1/10 DUTY CYCLE, 0.1 ms PULSE WIDTH)	100 mA
OPERATING TEMPERATURE RANGE	-25°C TO +85°C
STORAGE TEMPERATURE RANGE	-25°C TO +100°C
LEAD SOLDERING TEMP. (1.6mm FROM BODY)	260°C FOR 5 SEC

Electrical/Optical Characteristics at $T_A=25^\circ\text{C}$

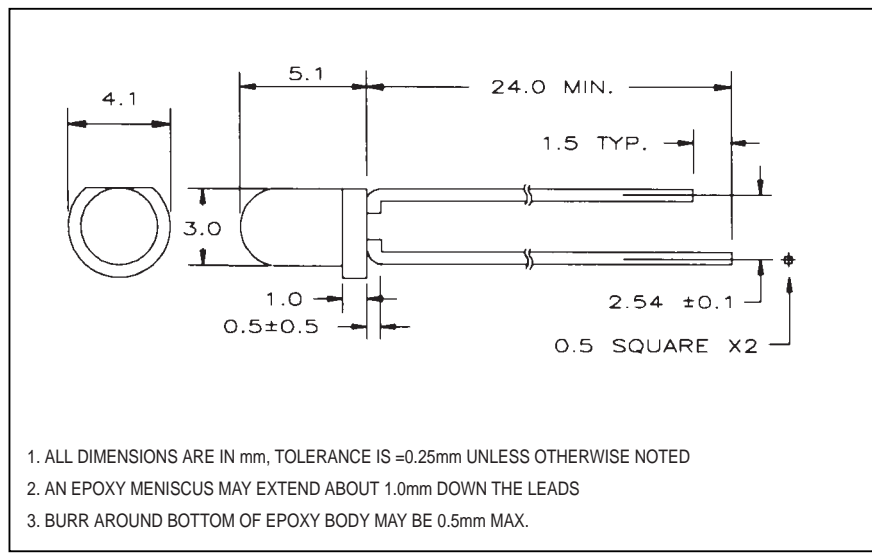
PART NUMBER	LED CHIP	MATERIAL	EMITTING COLOR	LEN'S COLOR		PEAK WAVELENGTH @20mA(nm)	FORWARD VOLTAGE @20mA(V)		LUMINOUS INTENSITY @20mA(mcd)		VIEW ANGLE $2\theta_{1/2}$ (deg)
				Y.D.	W.D.		TYP.	MAX.	MIN.	TYP.	
LT0331-41-UR	LT0332-41-UR	InGaAlP ON GaAs	YELLOW	Y.D.	W.D.	595	2.1	2.4	72.2	120.4	54
LT0333-41-UR	LT0334-41-UR	InGaAlP ON GaAs	YELLOW	W.C.	Y.C.	595	2.1	2.4	245.5	409.2	46

(1) LENS COLOR
 Y.D. YELLOW DIFFUSED
 W.D. WHITE DIFFUSED
 Y.C. YELLOW CLEAR
 W.C. WATER CLEAR

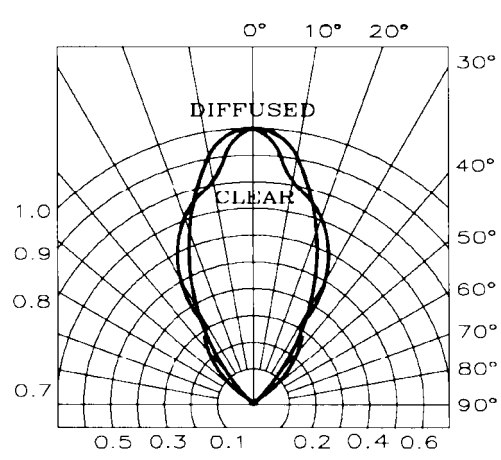
(2) SPECIFICATIONS ARE SUBJECT TO CHANGE WITHOUT NOTICE.

(3) ALL ABOVE COMPONENTS ARE CONSIDERED. DEVIATIONS FROM STATED SPECIFICATIONS WILL REQUIRE A NEW PART NUMBER BE ASSIGNED.

Package Dimensions



Radiation Pattern



Features

- * SUPERBRIGHT RED AND ULTRABRIGHT RED
- * HIGH LIGHT OUTPUT
- * RELIABLE AND RUGGED
- * IC COMPATIBLE
- *
- *
- *
- *

Absolute Maximum Ratings at T_A=25°C

REVERSE VOLTAGE (<100 μA).....	4.0 V
D.C. FORWARD CURRENT	30mA
PULSE CURRENT (1/10 DUTY CYCLE, 0.1 ms PULSE WIDTH)	100mA
OPERATING TEMPERATURE RANGE	-25°C TO +85°C
STORAGE TEMPERATURE RANGE	-25°C TO +100°C
LEAD SOLDERING TEMP. (1.6mm FROM BODY)	260°C FOR 5 SEC

Electrical/Optical Characteristics at T_A=25°C

PART NUMBER	LED CHIP		LEN'S COLOR	PEAK WAVELENGTH @20mA(nm)	FORWARD VOLTAGE @20mA(V)		LUMINOUS INTENSITY @20mA(mcd)		VIEW ANGLE 2θ _{1/2} (deg)
	MATERIAL	EMITTING COLOR			TYP.	MAX.	MIN.	TYP.	
LT0371-41	GaAlAs ON GaAs	RED	R.D.	660	1.7	2.2	108	180	54
LT0372-41	GaAlAs ON GaAs	RED	W.D.	660	1.7	2.2	108	180	54
LT0373-41	GaAlAs ON GaAs	RED	W.C.	660	1.7	2.2	360	600	46
LT0374-41	GaAlAs ON GaAs	RED	R.C.	660	1.7	2.2	360	600	46
LT0371-41-UR	GaAlAs ON GaAlAs	RED	R.D.	660	1.9	2.5	210	350	54
LT0372-41-UR	GaAlAs ON GaAlAs	RED	W.D.	660	1.9	2.5	210	350	54
LT0373-41-UR	GaAlAs ON GaAlAs	RED	W.C.	660	1.9	2.5	720	1200	46
LT0374-41-UR	GaAlAs ON GaAlAs	RED	R.C.	660	1.9	2.5	720	1200	46

(1) LENS COLOR

R.D. RED DIFFUSED

W.D. WHITE DIFFUSED

R.C. RED CLEAR

W.C. WATER CLEAR

(2) SPECIFICATIONS ARE SUBJECT TO CHANGE

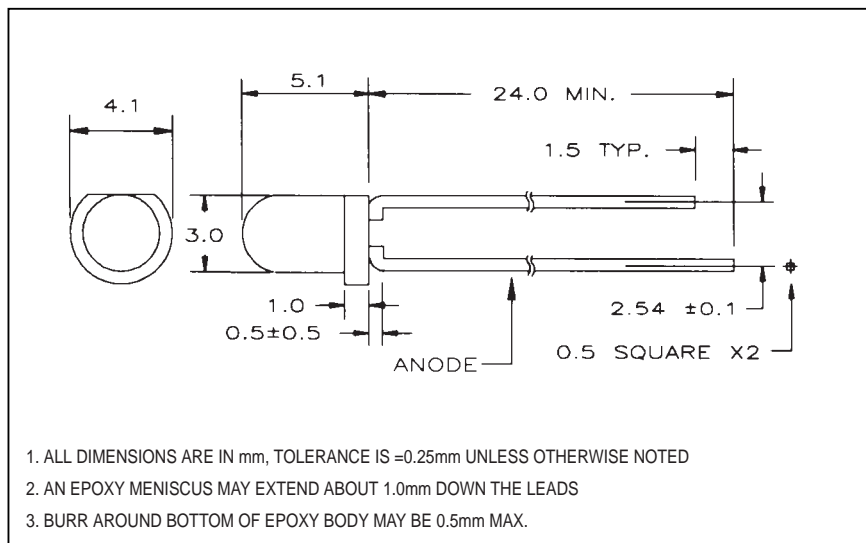
WITHOUT NOTICE.

(3) ALL ABOVE COMPONENTS ARE CONSIDERED.

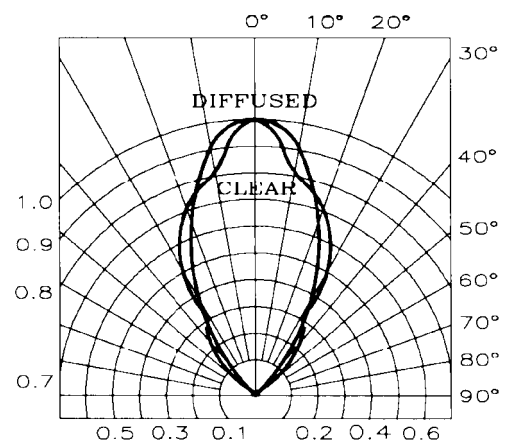
DEVIATIONS FROM STATED SPECIFICATIONS WILL

REQUIRE A NEW PART NUMBER BE ASSIGNED.

Package Dimensions



Radiation Pattern



Features

- * HIGH LIGHT OUTPUT AND UNIFORM MATCH FOR TWO COLOR
- * LOW CURRENT REQUIREMENTS
- * RELIABLE AND RUGGED
- * IC COMPATIBLE

Absolute Maximum Ratings at T_A=25°C

REVERSE VOLTAGE (<100 μA).....	5.0 V
D.C. FORWARD CURRENT	30 mA
PULSE CURRENT (1/10 DUTY CYCLE, 0.1 ms PULSE WIDTH)	100 mA
OPERATING TEMPERATURE RANGE	-25°C TO +85°C
STORAGE TEMPERATURE RANGE	-25°C TO +100°C
LEAD SOLDERING TEMP. (1.6mm FROM BODY)	260°C FOR 5 SEC

Electrical/Optical Characteristics at T_A=25°C

PART NUMBER	LED CHIP		LEN'S COLOR	PEAK WAVELENGTH @20mA(nm)		FORWARD VOLTAGE @20mA(V)				LUMINOUS INTENSITY @20mA(mcd)		VIEW ANGLE 2θ _{1/2} (deg)
	EMITTING	COLOR		TYP.	MAX.	TYP.	MAX.	TYP.	TYP.			
LT0363-23-D61	GREEN	YELLOW	W.C.	567	585	2.1	3.0	2.1	3.0	77	64	26
LT0363-24-D61	GREEN	ORANGE	W.C.	567	635	2.1	3.0	2.1	3.0	77	90	26
LT0363-25-D61	GREEN	RED	W.C.	567	700	2.1	3.0	2.1	3.0	77	16	26
LT0363-34-D61	YELLOW	ORANGE	W.C.	585	635	2.1	3.0	2.1	3.0	64	90	26
LT0363-35-D61	YELLOW	RED	W.C.	585	700	2.1	3.0	2.1	3.0	64	16	26
LT0364-22-D61	GREEN	GREEN	G.C.	567	567	2.1	3.0	2.1	3.0	77	77	26
LT0364-33-D61	YELLOW	YELLOW	Y.C.	585	585	2.1	3.0	2.1	3.0	64	64	26
LT0364-44-D61	ORANGE	ORANGE	O.C.	635	635	2.1	3.0	2.1	3.0	90	90	26
LT0364-55-D61	RED	RED	R.C.	700	700	2.1	3.0	2.1	3.0	16	16	26
LT0364R-44-D61	ORANGE	ORANGE	R.C.	635	635	2.1	3.0	2.1	3.0	90	90	26

(1) LENS COLOR

R.C. RED CLEAR

G.C. GREEN CLEAR

Y.C. YELLOW CLEAR

O.C. ORANGE CLEAR

W.C. WATER CLEAR

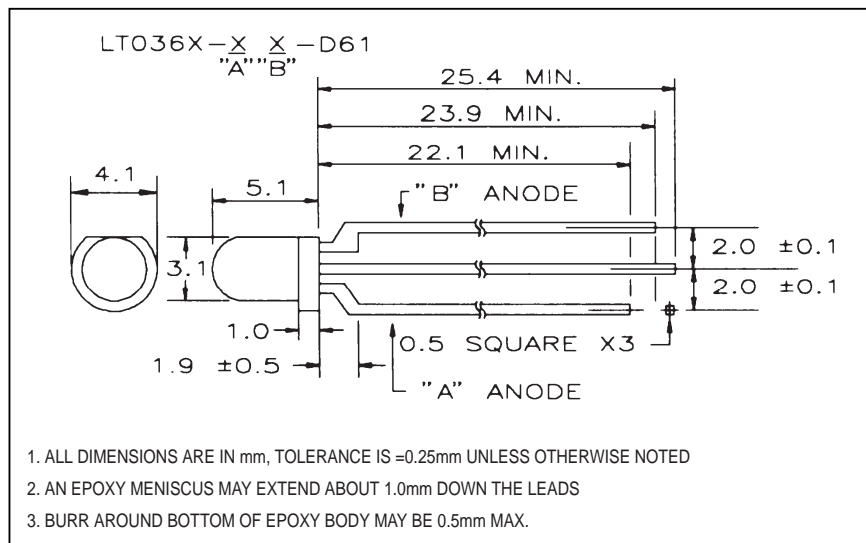
(2) SPECIFICATIONS ARE SUBJECT TO CHANGE

WITHOUT NOTICE.

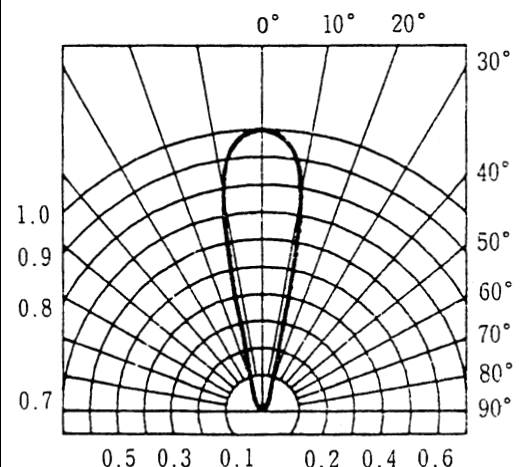
(3) ALL ABOVE COMPONENTS ARE CONSIDERED.

DEVIATIONS FROM STATED SPECIFICATIONS WILL REQUIRE A NEW PART NUMBER BE ASSIGNED.

Package Dimensions



Radiation Pattern



Features

- * HIGH LIGHT OUTPUT AND UNIFORM MATCH FOR TWO COLOR
- * LOW CURRENT REQUIREMENTS
- * RELIABLE AND RUGGED
- * IC COMPATIBLE

Absolute Maximum Ratings at T_A=25°C

REVERSE VOLTAGE	5.0 V
D.C. FORWARD CURRENT	30 mA
PULSE CURRENT (1/10 DUTY CYCLE, 0.1 ms PULSE WIDTH)	100 mA
OPERATING TEMPERATURE RANGE	-25°C TO +85°C
STORAGE TEMPERATURE RANGE	-25°C TO +100°C
LEAD SOLDERING TEMP. (1.6mm FROM BODY)	260°C FOR 5 SEC

Electrical/Optical Characteristics at T_A=25°C

PART NUMBER	LED CHIP		LEN'S COLOR	PEAK WAVELENGTH		FORWARD VOLTAGE @20mA(V)				LUMINOUS INTENSITY @20mA(mcd)		VIEW ANGLE 2θ _{1/2} (deg)
	EMITTING	COLOR		@20mA(nm)		TYP.	MAX.	TYP.	MAX.	TYP.	TYP.	
LT0362-32-D61	YELLOW	GREEN	W.C.	585	567	2.1	3.0	2.1	3.0	11.1	13.3	50
LT0362-42-D61	ORANGE	GREEN	W.C.	635	567	2.1	3.0	2.1	3.0	15.5	13.3	50
LT0362-52-D61	RED	GREEN	W.C.	700	567	2.1	3.0	2.1	3.0	2.7	13.3	50
LT0362-43-D61	ORANGE	YELLOW	W.C.	636	585	2.1	3.0	2.1	3.0	15.5	11.1	50

(1) LENS COLOR

W.C. WATER CLEAR

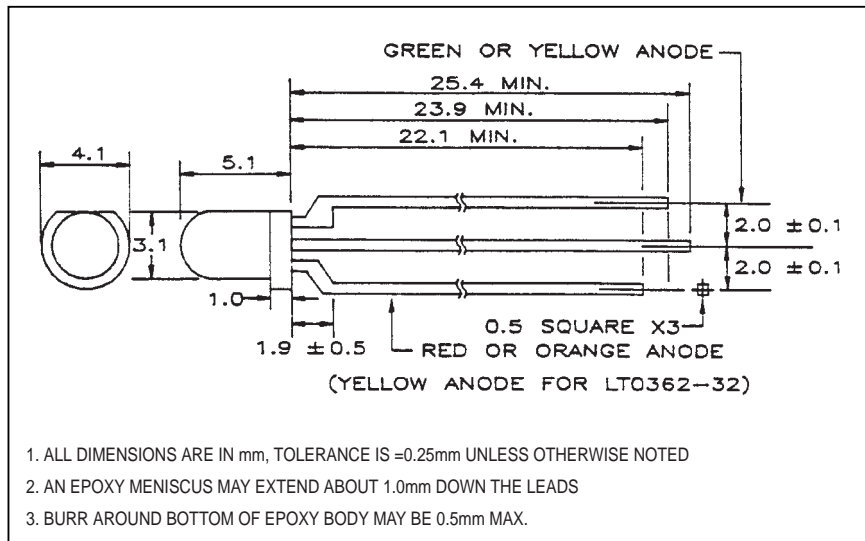
(2) SPECIFICATIONS ARE SUBJECT TO CHANGE

WITHOUT NOTICE.

(3) ALL ABOVE COMPONENTS ARE CONSIDERED.

DEVIATIONS FROM STATED SPECIFICATIONS WILL REQUIRE A NEW PART NUMBER BE ASSIGNED.

Package Dimensions



Radiation Pattern

