

### Features

- \* LOW CURRENT REQUIREMENTS
- \* HIGH LIGHT OUTPUT
- \* RELIABLE AND RUGGED
- \* IC COMPATIBLE

### Absolute Maximum Ratings at T<sub>A</sub>=25°C

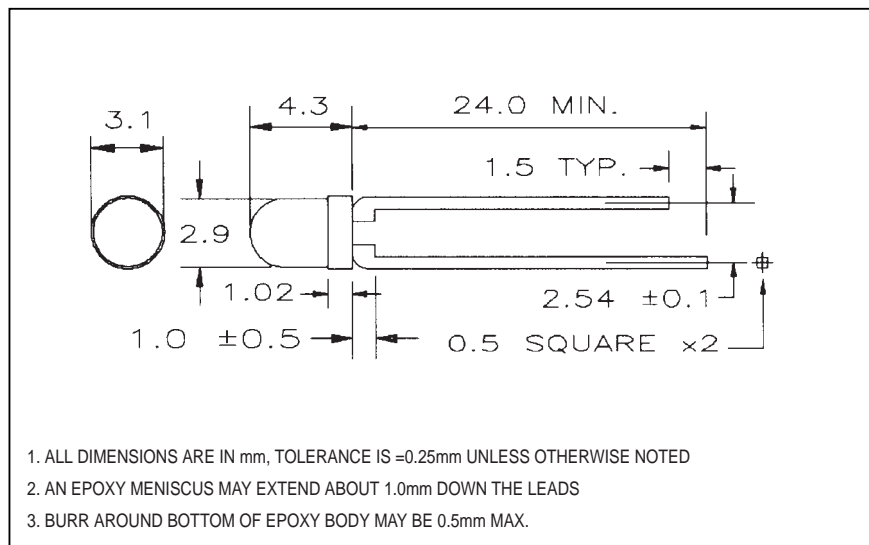
REVERSE VOLTAGE .....	GaAsP RED 3.0 V, OTHER 5.0 V
D.C. FORWARD CURRENT .....	30 mA
PULSE CURRENT (1/10 DUTY CYCLE, 0.1 ms PULSE WIDTH) .....	100 mA
OPERATING TEMPERATURE RANGE .....	-25°C TO +85°C
STORAGE TEMPERATURE RANGE .....	-25°C TO +100°C
LEAD SOLDERING TEMP. (1.6mm FROM BODY) .....	260°C FOR 5 SEC

### Electrical/Optical Characteristics at T<sub>A</sub>=25°C

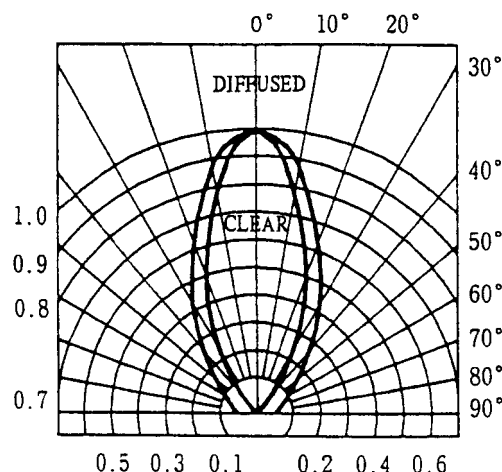
PART NUMBER	LED MATERIAL	CHIP EMITTING COLOR	LEN'S COLOR		PEAK WAVELENGTH @20mA(nm)	FORWARD VOLTAGE @20mA(V)		LUMINOUS INTENSITY @20mA(mcd)		VIEW ANGLE 2θ <sub>1/2</sub> (deg)
						TYP.	MAX.	MIN.	TYP.	
LT6311-41	GaAsP	RED	R.D.	W.D.	655	1.7	2.0	1.2	2.0	54
LT6311G-41	GaP	RED	R.D.	W.D.	700	2.1	3.0	1.9	3.2	54
LT6321-41	GaP	GREEN	G.D.	W.D.	567	2.1	3.0	9.1	15.1	54
LT6331-41	GaAsP ON GaP	YELLOW	Y.D.	W.D.	585	2.1	3.0	7.4	12.3	54
LT6341-41	GaAsP ON GaP	ORANGE	O.D.	W.D.	635	2.1	3.0	10.4	17.3	54
LT6341R-41	GaAsP ON GaP	ORANGE	R.D.		635	2.1	3.0	10.4	17.3	54
LT6313-41	GaAsP	RED	W.C.	R.C.	655	1.7	2.0	4.2	7.0	40
LT6313G-41	GaP	RED	W.C.	R.C.	700	2.1	3.0	6.5	10.8	40
LT6323-41	GaP	GREEN	W.C.	G.C.	567	2.1	3.0	30.8	51.3	40
LT6333-41	GaAsP ON GaP	YELLOW	W.C.	Y.C.	585	2.1	3.0	25.3	42.1	40
LT6343-41	GaAsP ON GaP	ORANGE	W.C.	O.C.	635	2.1	3.0	35.4	59.0	40
	LT6344R-41	GaAsP ON GaP	ORANGE	R.C.	635	2.1	3.0	35.4	59.0	40

- (1) LENS COLOR      G.D. GREEN DIFFUSED      Y.C. YELLOW CLEAR      (2) SPECIFICATIONS ARE SUBJECT TO CHANGE WITHOUT NOTICE.  
R.D. RED DIFFUSED      O.D. ORANGE DIFFUSED      G.C. GREEN CLEAR      (3) ALL ABOVE COMPONENTS ARE CONSIDERED. DEVIATIONS FROM STATED SPECIFICATIONS WILL REQUIRE A NEW PART NUMBER BE ASSIGNED.  
Y.D. YELLOW DIFFUSED      W.C. WATER CLEAR      O.C. ORANGE CLEAR  
W.D. WHITE DIFFUSED      R.C. RED CLEAR

### Package Dimensions



### Radiation Pattern



### Features

- \* LOW CURRENT REQUIREMENTS
- \* HIGH LIGHT OUTPUT
- \* RELIABLE AND RUGGED
- \* IC COMPATIBLE

### Absolute Maximum Ratings at T<sub>A</sub>=25°C

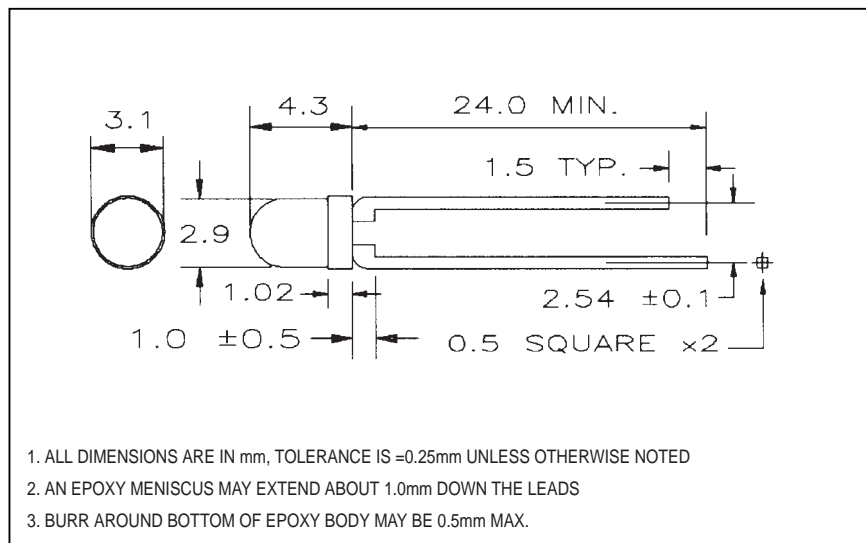
REVERSE VOLTAGE .....	GaAsP RED 3.0 V, OTHER 5.0 V
D.C. FORWARD CURRENT .....	30 mA
PULSE CURRENT (1/10 DUTY CYCLE, 0.1 ms PULSE WIDTH) .....	100 mA
OPERATING TEMPERATURE RANGE .....	-25°C TO +85°C
STORAGE TEMPERATURE RANGE .....	-25°C TO +100°C
LEAD SOLDERING TEMP. (1.6mm FROM BODY) .....	260°C FOR 5 SEC

### Electrical/Optical Characteristics at T<sub>A</sub>=25°C

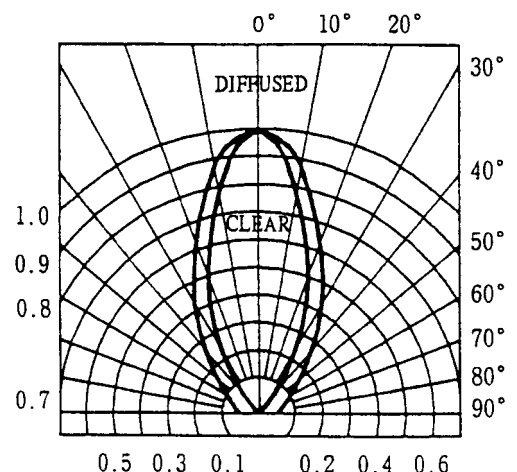
PART	NUMBER	LED CHIP		LEN'S COLOR		PEAK WAVELENGTH @20mA(nm)	FORWARD VOLTAGE @20mA(V)		LUMINOUS INTENSITY @20mA(mcd)		VIEW ANGLE 2θ <sub>1/2</sub> (deg)
		MATERIAL	EMITTING COLOR				TYP.	MAX.	MIN.	TYP.	
_____	_____	GaAsP	RED	R.D.	W.D.	655	—	—	—	—	_____
_____	_____	GaP	RED	R.D.	W.D.	700	—	—	—	—	_____
LT6321-41-LC	LT6322-41-LC	GaP	GREEN	G.D.	W.D.	567	1.8	2.2	1.0	1.7	54
LT6331-41-LC	LT6332-41-LC	GaAsP ON GaP	YELLOW	Y.D.	W.D.	585	1.8	2.2	0.8	1.4	54
LT6341-41-LC	LT6342-41-LC	GaAsP ON GaP	ORANGE	O.D.	W.D.	635	1.8	2.2	1.2	1.9	54
LT6341R-41-LC		GaAsP ON GaP	ORANGE	R.D.		635	1.8	2.2	1.2	1.9	54
_____	_____	GaAsP	RED	W.C.	R.C.	655	—	—	—	—	_____
_____	_____	GaP	RED	W.C.	R.C.	700	—	—	—	—	_____
LT6323-41-LC	LT6324-41-LC	GaP	GREEN	W.C.	G.C.	567	1.8	2.2	3.4	5.7	40
LT6333-41-LC	LT6334-41-LC	GaAsP ON GaP	YELLOW	W.C.	Y.C.	585	1.8	2.2	2.8	4.7	40
LT6343-41-LC	LT6344-41-LC	GaAsP ON GaP	ORANGE	W.C.	O.C.	635	1.8	2.2	4.0	6.6	40
	LT6344R-41-LC	GaAsP ON GaP	ORANGE		R.C.	635	1.8	2.2	4.0	6.6	40

- (1) LENS COLOR      G.D. GREEN DIFFUSED      Y.C. YELLOW CLEAR      (2) SPECIFICATIONS ARE SUBJECT TO CHANGE WITHOUT NOTICE.  
R.D. RED DIFFUSED      O.D. ORANGE DIFFUSED      G.C. GREEN CLEAR      (3) ALL ABOVE COMPONENTS ARE CONSIDERED. DEVIATIONS FROM STATED SPECIFICATIONS WILL REQUIRE A NEW PART NUMBER BE ASSIGNED.  
Y.D. YELLOW DIFFUSED      W.C. WATER CLEAR      O.C. ORANGE CLEAR  
W.D. WHITE DIFFUSED      R.C. RED CLEAR

### Package Dimensions



### Radiation Pattern



### Features

- \* HIGH EFFICIENCY GREEN
- \* HIGH LIGHT OUTPUT
- \* RELIABLE AND RUGGED
- \* IC COMPATIBLE

### Absolute Maximum Ratings at T<sub>A</sub>=25°C

REVERSE VOLTAGE (<100 μA).....	5.0 V
D.C. FORWARD CURRENT .....	30 mA
PULSE CURRENT (1/10 DUTY CYCLE, 0.1 ms PULSE WIDTH) .....	100 mA
OPERATING TEMPERATURE RANGE .....	-25°C TO +85°C
STORAGE TEMPERATURE RANGE .....	-25°C TO +100°C
LEAD SOLDERING TEMP. (1.6mm FROM BODY) .....	260°C FOR 5 SEC

### Electrical/Optical Characteristics at T<sub>A</sub>=25°C

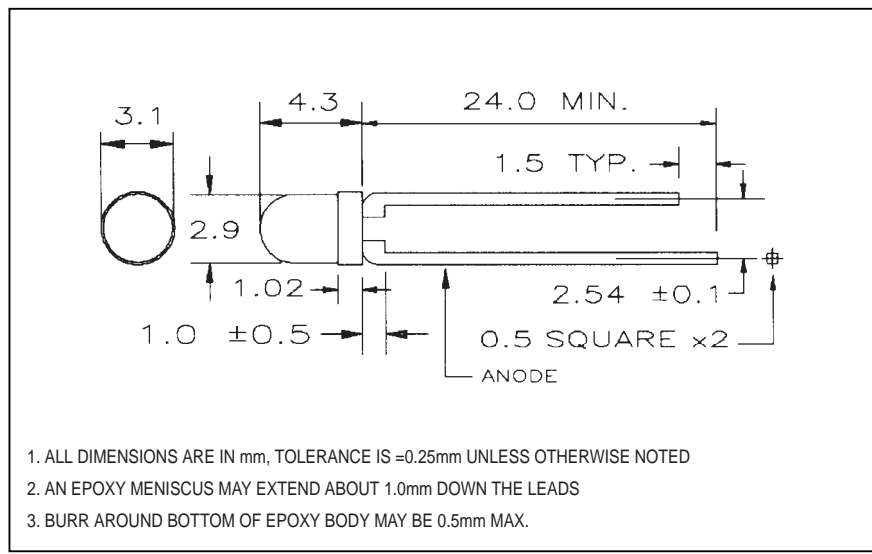
PART NUMBER	LED CHIP	MATERIAL	EMITTING COLOR	LEN'S COLOR		PEAK WAVELENGTH @20mA(nm)	FORWARD VOLTAGE @20mA(V)		LUMINOUS INTENSITY @20mA(mcd)		VIEW ANGLE 2θ <sub>1/2</sub> (deg)
				G.D.	W.D.		TYP.	MAX.	MIN.	TYP.	
LT6321-41-HE	LT6322-41-HE	GaP	GREEN	G.D.	W.D.	567	2.1	3.0	27	45	54
LT6323-41-HE	LT6324-41-HE	GaP	GREEN	W.C.	G.C.	567	2.1	3.0	92	154	40

(1) LENS COLOR  
 G.D. GREEN DIFFUSED  
 W.D. WHITE DIFFUSED  
 G.C. GREEN CLEAR  
 W.C. WATER CLEAR

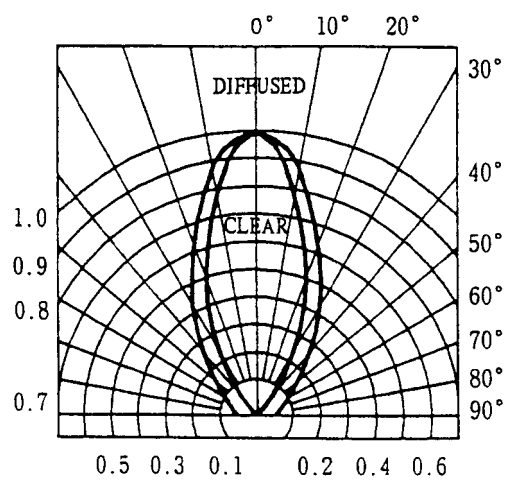
(2) SPECIFICATIONS ARE SUBJECT TO CHANGE WITHOUT NOTICE.

(3) ALL ABOVE COMPONENTS ARE CONSIDERED. DEVIATIONS FROM STATED SPECIFICATIONS WILL REQUIRE A NEW PART NUMBER BE ASSIGNED.

### Package Dimensions



### Radiation Pattern



### Features

- \* ULTRABRIGHT YELLOW
- \* HIGH LIGHT OUTPUT
- \* RELIABLE AND RUGGED
- \* IC COMPATIBLE

### Absolute Maximum Ratings at T<sub>A</sub>=25°C

REVERSE VOLTAGE (<100 μA).....	4.0 V
D.C. FORWARD CURRENT .....	30 mA
PULSE CURRENT (1/10 DUTY CYCLE, 0.1 ms PULSE WIDTH) .....	100 mA
OPERATING TEMPERATURE RANGE .....	-25°C TO +85°C
STORAGE TEMPERATURE RANGE .....	-25°C TO +100°C
LEAD SOLDERING TEMP. (1.6mm FROM BODY) .....	260°C FOR 5 SEC

### Electrical/Optical Characteristics at T<sub>A</sub>=25°C

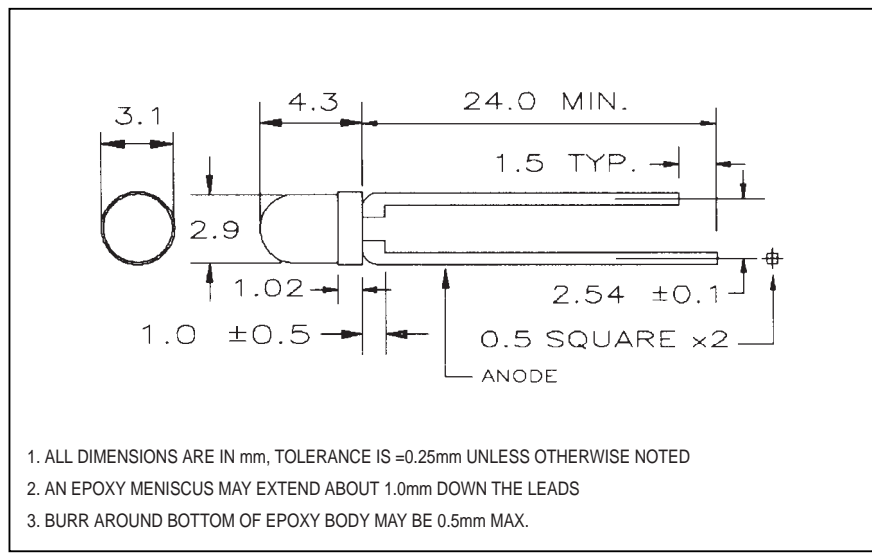
PART NUMBER	LED CHIP	MATERIAL	EMITTING COLOR	LEN'S COLOR		PEAK WAVELENGTH @20mA(nm)	FORWARD VOLTAGE @20mA(V)		LUMINOUS INTENSITY @20mA(mcd)		VIEW ANGLE 2θ <sub>1/2</sub> (deg)
				Y.D.	W.D.		TYP.	MAX.	MIN.	TYP.	
LT6331-41-UR	LT6332-41-UR	InGaAlP ON GaAs	YELLOW	Y.D.	W.D.	595	2.1	2.4	354	591	54
LT6333-41-UR	LT6334-41-UR	InGaAlP ON GaAs	YELLOW	W.C.	Y.C.	595	2.1	2.4	810	1350	40

(1) LENS COLOR  
 Y.D. YELLOW DIFFUSED  
 W.D. WHITE DIFFUSED  
 Y.C. YELLOW CLEAR  
 W.C. WATER CLEAR

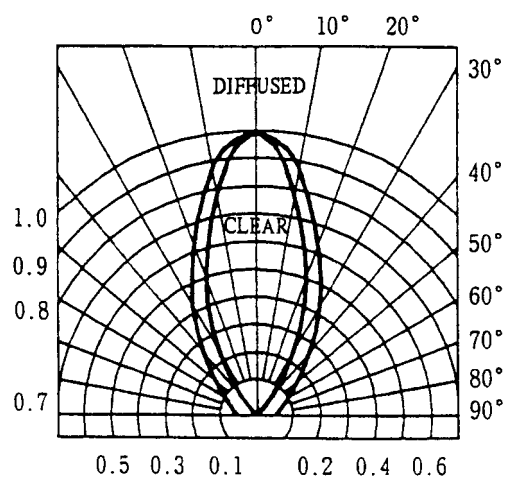
(2) SPECIFICATIONS ARE SUBJECT TO CHANGE WITHOUT NOTICE.

(3) ALL ABOVE COMPONENTS ARE CONSIDERED. DEVIATIONS FROM STATED SPECIFICATIONS WILL REQUIRE A NEW PART NUMBER BE ASSIGNED.

### Package Dimensions



### Radiation Pattern



### Features

- \* SUPERBRIGHT RED AND ULTRABRIGHT RED
- \* HIGH LIGHT OUTPUT
- \* RELIABLE AND RUGGED
- \* IC COMPATIBLE

### Absolute Maximum Ratings at T<sub>A</sub>=25°C

REVERSE VOLTAGE (<100 μA).....	4.0 V
D.C. FORWARD CURRENT .....	30 mA
PULSE CURRENT (1/10 DUTY CYCLE, 0.1 ms PULSE WIDTH) .....	100 mA
OPERATING TEMPERATURE RANGE .....	-25°C TO +85°C
STORAGE TEMPERATURE RANGE .....	-25°C TO +100°C
LEAD SOLDERING TEMP. (1.6mm FROM BODY) .....	260°C FOR 5 SEC

### Electrical/Optical Characteristics at T<sub>A</sub>=25°C

PART NUMBER	LED CHIP		LEN'S COLOR	PEAK WAVELENGTH @20mA(nm)	FORWARD VOLTAGE @20mA(V)		LUMINOUS INTENSITY @20mA(mcd)		VIEW ANGLE 2θ <sub>1/2</sub> (deg)
	MATERIAL	EMITTING COLOR			TYP.	MAX.	MIN.	TYP.	
LT6371-41	GaAlAs ON GaAs	RED	R.D.	660	1.7	2.2	63	105	47
LT6372-41	GaAlAs ON GaAs	RED	W.D.	660	1.7	2.2	63	105	47
LT6373-41	GaAlAs ON GaAs	RED	W.C.	660	1.7	2.2	215	358	39
LT6374-41	GaAlAs ON GaAs	RED	R.C.	660	1.7	2.2	215	358	39
LT6371-41-UR	GaAlAs ON GaAlAs	RED	R.D.	660	1.9	2.5	133	221	47
LT6372-41-UR	GaAlAs ON GaAlAs	RED	W.D.	660	1.9	2.5	133	221	47
LT6373-41-UR	GaAlAs ON GaAlAs	RED	W.C.	660	1.9	2.5	452	753	39
LT6374-41-UR	GaAlAs ON GaAlAs	RED	R.C.	660	1.9	2.5	452	753	39

(1) LENS COLOR

R.D. RED DIFFUSED

W.D. WHITE DIFFUSED

R.C. RED CLEAR

W.C. WATER CLEAR

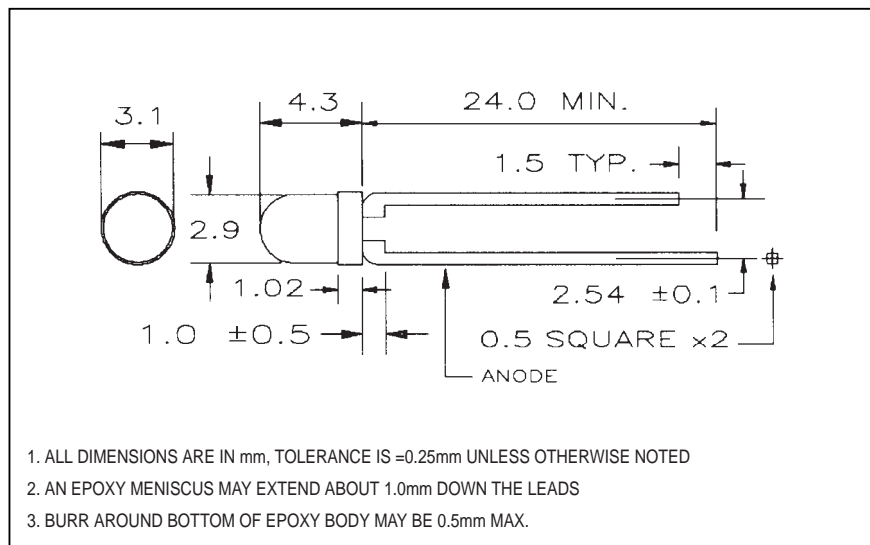
(2) SPECIFICATIONS ARE SUBJECT TO CHANGE

WITHOUT NOTICE.

(3) ALL ABOVE COMPONENTS ARE CONSIDERED.

DEVIATIONS FROM STATED SPECIFICATIONS WILL REQUIRE A NEW PART NUMBER BE ASSIGNED.

### Package Dimensions



### Radiation Pattern

