

### Features

- \* LOW CURRENT REQUIREMENTS
- \* HIGH LIGHT OUTPUT
- \* RELIABLE AND RUGGED
- \* IC COMPATIBLE

### Absolute Maximum Ratings at T<sub>A</sub>=25°C

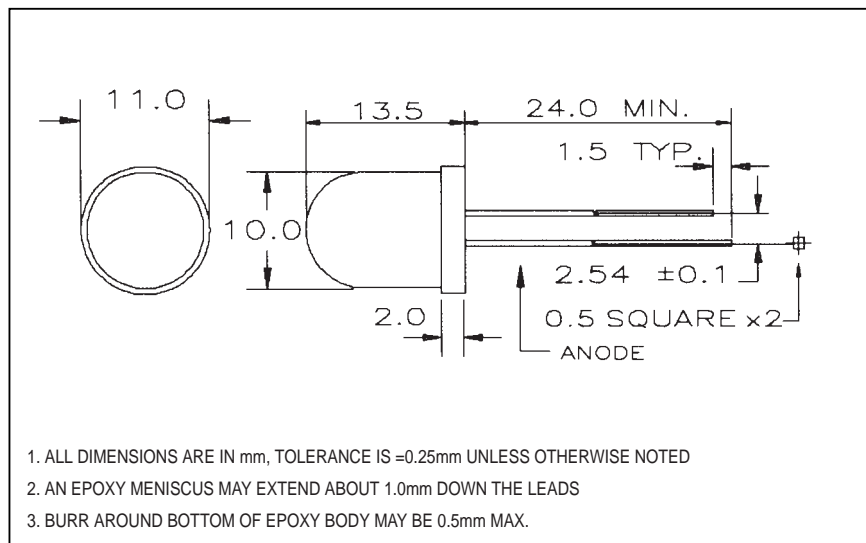
REVERSE VOLTAGE .....	GaAsP RED 3.0 V, OTHER 5.0 V
D.C. FORWARD CURRENT .....	30 mA
PULSE CURRENT (1/10 DUTY CYCLE, 0.1 ms PULSE WIDTH) .....	100 mA
OPERATING TEMPERATURE RANGE .....	-25°C TO +85°C
STORAGE TEMPERATURE RANGE .....	-25°C TO +100°C
LEAD SOLDERING TEMP. (1.6mm FROM BODY) .....	260°C FOR 5 SEC

### Electrical/Optical Characteristics at T<sub>A</sub>=25°C

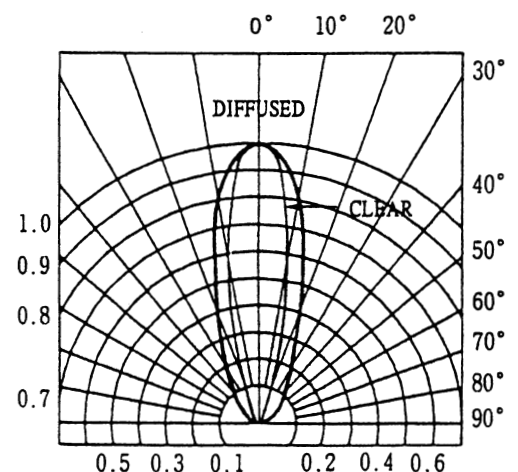
PART NUMBER	LED CHIP		LEN'S COLOR		PEAK WAVELENGTH @20mA(nm)	FORWARD VOLTAGE @20mA(V)		LUMINOUS INTENSITY @20mA(mcd)		VIEW ANGLE 2θ <sub>1/2</sub> (deg)	
	MATERIAL	EMITTING COLOR				TYP.	MAX.	MIN.	TYP.		
LT3311-81	LT3312-81	GaAsP	RED	R.D.	W.D.	655	1.7	2.0	1.4	2.3	34
LT3311G-81	LT3312G-81	GaP	RED	R.D.	W.D.	700	2.1	3.0	2.0	3.4	34
LT3321-81	LT3322-81	GaP	GREEN	G.D.	W.D.	567	2.1	3.0	10.0	16.7	34
LT3331-81	LT3332-81	GaAsP ON GaP	YELLOW	Y.D.	W.D.	585	2.1	3.0	8.2	13.7	34
LT3341-81	LT3342-81	GaAsP ON GaP	ORANGE	O.D.	W.D.	635	2.1	3.0	11.6	19.4	34
LT3341R-81		GaAsP ON GaP	ORANGE	R.D.		635	2.1	3.0	11.6	19.4	34
LT3313-81	LT3314-81	GaAsP	RED	W.C.	R.C.	655	1.7	2.0	4.6	7.6	22
LT3313G-81	LT3314G-81	GaP	RED	W.C.	R.C.	700	2.1	3.0	6.7	11.2	22
LT3323-81	LT3324-81	GaP	GREEN	W.C.	G.C.	567	2.1	3.0	33.1	55.1	22
LT3333-81	LT3334-81	GaAsP ON GaP	YELLOW	W.C.	Y.C.	585	2.1	3.0	27.1	45.2	22
LT3343-81	LT3344-81	GaAsP ON GaP	ORANGE	W.C.	O.C.	635	2.1	3.0	38.4	64.0	22
	LT3344R-81	GaAsP ON GaP	ORANGE		R.C.	635	2.1	3.0	38.4	64.0	22

- (1) LENS COLOR      G.D. GREEN DIFFUSED      Y.C. YELLOW CLEAR      (2) SPECIFICATIONS ARE SUBJECT TO CHANGE WITHOUT NOTICE.  
R.D. RED DIFFUSED      O.D. ORANGE DIFFUSED      G.C. GREEN CLEAR      (3) ALL ABOVE COMPONENTS ARE CONSIDERED. DEVIATIONS FROM STATED SPECIFICATIONS WILL REQUIRE A NEW PART NUMBER BE ASSIGNED.  
Y.D. YELLOW DIFFUSED      W.C. WATER CLEAR      O.C. ORANGE CLEAR  
W.D. WHITE DIFFUSED      R.C. RED CLEAR

### Package Dimensions



### Radiation Pattern



### Features

- \* BUILT-IN OSCILLATOR AND RESISTOR
- \* HIGH LIGHT OUTPUT
- \* RELIABLE AND RUGGED

### Absolute Maximum Ratings at T<sub>A</sub>=25°C

OPERATING VOLTAGE .....	3 TO 5.0 V
PEAK REVERSE VOLTAGE .....	0.4 V
OPERATING TEMPERATURE RANGE .....	0°C TO +70°C
STORAGE TEMPERATURE RANGE .....	-25°C TO +85°C
LEAD SOLDERING TEMP. (1.6mm FROM BODY) .....	260°C FOR 5 SEC

### Electrical/Optical Characteristics at T<sub>A</sub>=25°C

PART NUMBER	EMITTING COLOR	LEN'S COLOR	PEAK WAVELENGTH @5V (nm)	APPLIED VOLTAGE (V)		LUMINOUS INTENSITY @5V (mcd)		FLASHING FREQUENCY @5V (Hz)	VIEW ANGLE 2θ <sub>1/2</sub> (deg)
				TYP.	MAX.	MIN.	TYP.		
LT3311GF-91	RED	R.D.	700	3.0	5.0	1.1	1.8	2.4	52
LT3321F-91	GREEN	G.D.	567	3.0	5.0	5.3	8.9	2.4	52
LT3331F-91	YELLOW	Y.D.	585	3.0	5.0	4.4	7.3	2.4	52
LT3341F-91	ORANGE	O.D.	635	3.0	5.0	6.2	10.3	2.4	52
LT3341RF-91	ORANGE	R.D.	635	3.0	5.0	6.2	10.3	2.4	52

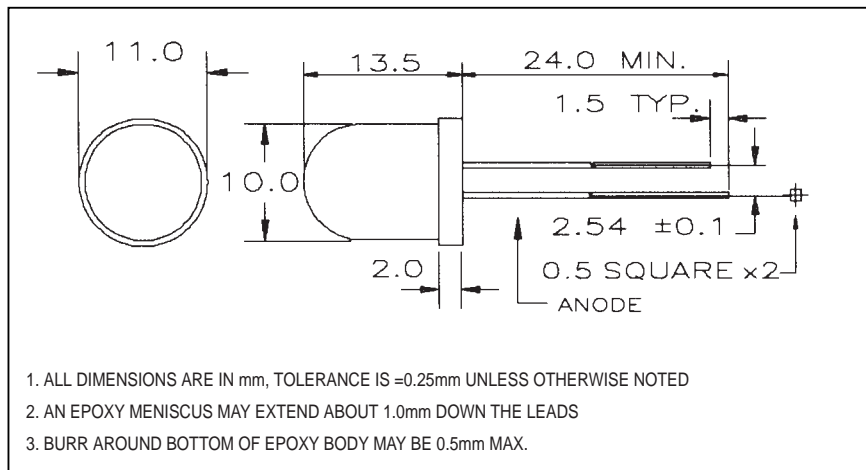
(1) LENS COLOR R.D. RED DIFFUSED G.D. GREEN DIFFUSED  
 Y.D. YELLOW DIFFUSED O.D. ORANGE DIFFUSED

(2) SPECIFICATIONS ARE SUBJECT TO CHANGE WITHOUT NOTICE.

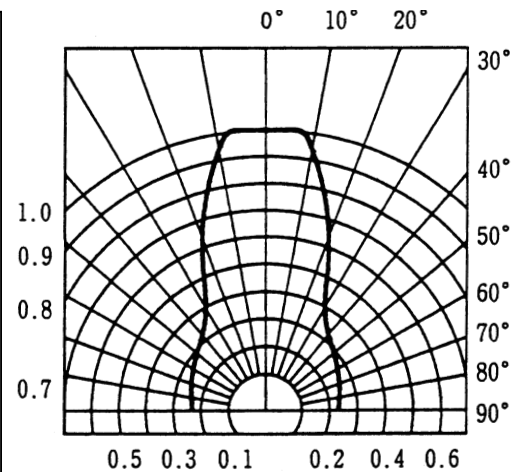
(3) ALL ABOVE COMPONENTS ARE CONSIDERED.

DEVIATIONS FROM STATED SPECIFICATIONS WILL REQUIRE A NEW PART NUMBER BE ASSIGNED.

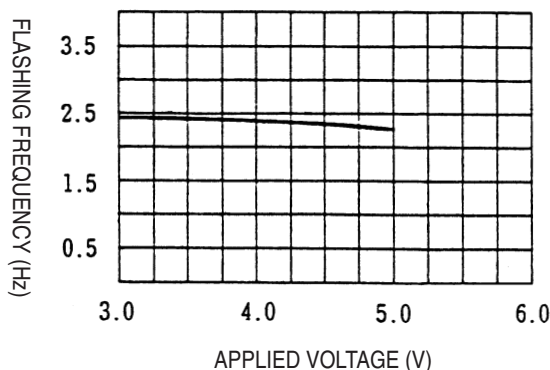
### Package Dimensions



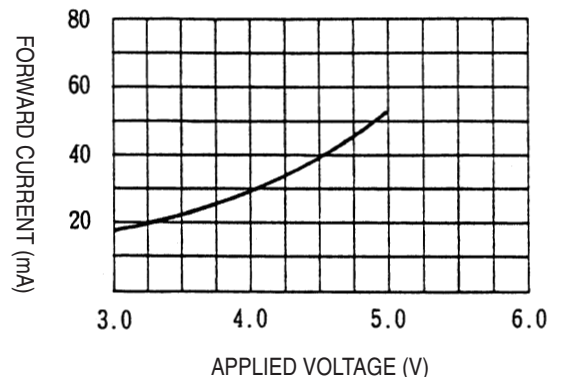
### Radiation Pattern



### Flashing Frequency VS. Applied Voltage



### Forward Current VS. Applied Voltage



### Features

- \* HIGH EFFICIENCY GREEN
- \* HIGH LIGHT OUTPUT
- \* RELIABLE AND RUGGED
- \* IC COMPATIBLE

### Absolute Maximum Ratings at T<sub>A</sub>=25°C

REVERSE VOLTAGE (<100 μA).....	5.0 V
D.C. FORWARD CURRENT .....	30 mA
PULSE CURRENT (1/10 DUTY CYCLE, 0.1 ms PULSE WIDTH) .....	100 mA
OPERATING TEMPERATURE RANGE .....	-25°C TO +85°C
STORAGE TEMPERATURE RANGE .....	-25°C TO +100°C
LEAD SOLDERING TEMP. (1.6mm FROM BODY) .....	260°C FOR 5 SEC

### Electrical/Optical Characteristics at T<sub>A</sub>=25°C

PART NUMBER	LED CHIP		LEN'S COLOR	PEAK WAVELENGTH @20mA(nm)	FORWARD VOLTAGE @20mA(V)		LUMINOUS INTENSITY @20mA(mcd)		VIEW ANGLE 2θ <sub>1/2</sub> (deg)
	MATERIAL	EMITTING COLOR			TYP.	MAX.	MIN.	TYP.	
LT3321-81-HE	GaP	GREEN	G.D.	567	2.1	3.0	54	90	34
LT3322-81-HE	GaP	GREEN	W.D.	567	2.1	3.0	54	90	34
LT3323-81-HE	GaP	GREEN	W.C.	567	2.1	3.0	150	250	22
LT3324-81-HE	GaP	GREEN	G.C.	567	2.1	3.0	150	250	22

(1) LENS COLOR

G.D. GREEN DIFFUSED

W.D. WHITE DIFFUSED

G.C. GREEN CLEAR

W.C. WATER CLEAR

(2) SPECIFICATIONS ARE SUBJECT TO CHANGE

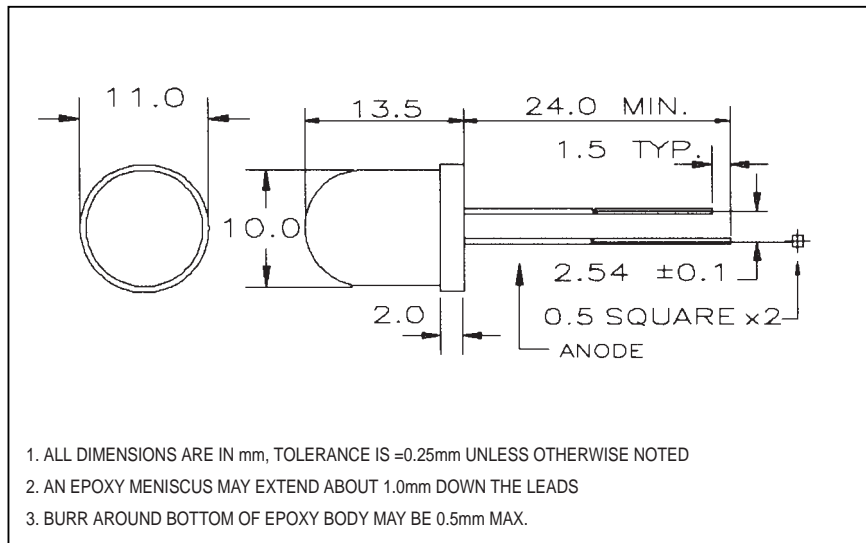
WITHOUT NOTICE.

(3) ALL ABOVE COMPONENTS ARE CONSIDERED.

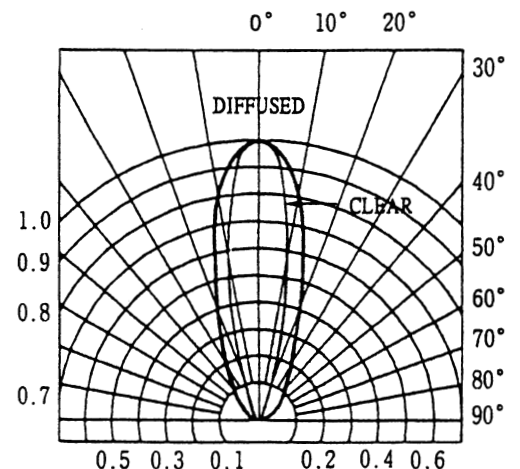
DEVIATIONS FROM STATED SPECIFICATIONS WILL

REQUIRE A NEW PART NUMBER BE ASSIGNED.

### Package Dimensions



### Radiation Pattern



### Features

- \* ULTRABRIGHT YELLOW
- \* HIGH LIGHT OUTPUT
- \* RELIABLE AND RUGGED
- \* IC COMPATIBLE

### Absolute Maximum Ratings at T<sub>A</sub>=25°C

REVERSE VOLTAGE (<100 μA).....	4.0 V
D.C. FORWARD CURRENT .....	30 mA
PULSE CURRENT (1/10 DUTY CYCLE, 0.1 ms PULSE WIDTH) .....	100 mA
OPERATING TEMPERATURE RANGE .....	-25°C TO +85°C
STORAGE TEMPERATURE RANGE .....	-25°C TO +100°C
LEAD SOLDERING TEMP. (1.6mm FROM BODY) .....	260°C FOR 5 SEC

### Electrical/Optical Characteristics at T<sub>A</sub>=25°C

PART NUMBER	LED CHIP		LEN'S COLOR	PEAK WAVELENGTH @20mA(nm)	FORWARD VOLTAGE @20mA(V)		LUMINOUS INTENSITY @20mA(mcd)		VIEW ANGLE 2θ <sub>1/2</sub> (deg)
	MATERIAL	EMITTING COLOR			TYP.	MAX.	MIN.	TYP.	
LT3331-81-UR	InGaAlP ON GaAs	YELLOW	Y.D.	595	2.1	2.4	420	700	34
LT3332-81-UR	InGaAlP ON GaAs	YELLOW	W.D.	595	2.1	2.4	420	700	34
LT3333-81-UR	InGaAlP ON GaAs	YELLOW	W.C.	595	2.1	2.4	840	1400	10
LT3334-81-UR	InGaAlP ON GaAs	YELLOW	Y.C.	595	2.1	2.4	840	1400	10

(1) LENS COLOR

Y.D. YELLOW DIFFUSED

W.D. WHITE DIFFUSED

Y.C. YELLOW CLEAR

W.C. WATER CLEAR

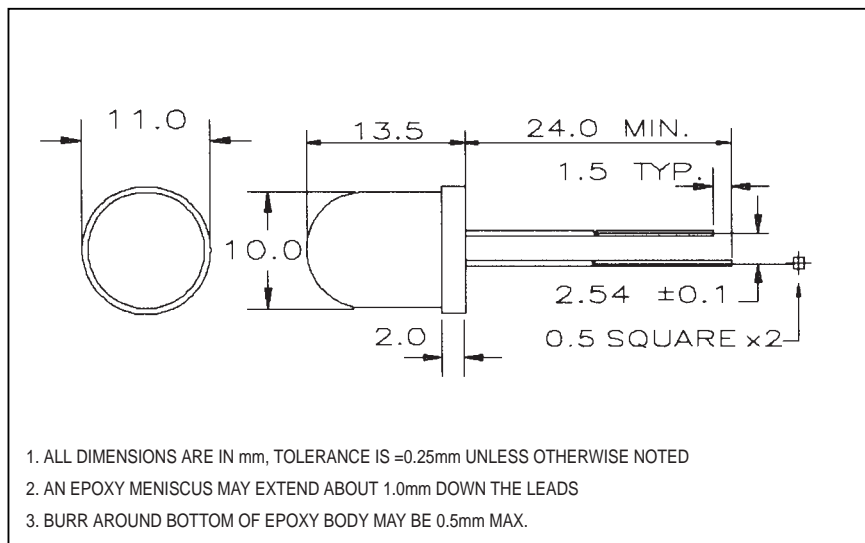
(2) SPECIFICATIONS ARE SUBJECT TO CHANGE

WITHOUT NOTICE.

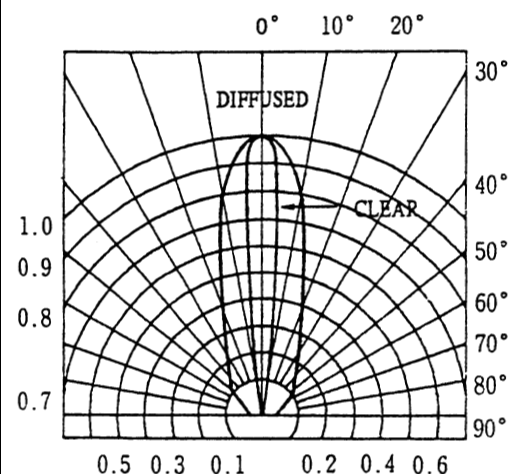
(3) ALL ABOVE COMPONENTS ARE CONSIDERED.

DEVIATIONS FROM STATED SPECIFICATIONS WILL REQUIRE A NEW PART NUMBER BE ASSIGNED.

### Package Dimensions



### Radiation Pattern



### Features

- \* SUPERBRIGHT RED AND ULTRABRIGHT RED
- \* HIGH LIGHT OUTPUT
- \* RELIABLE AND RUGGED
- \* IC COMPATIBLE

### Absolute Maximum Ratings at T<sub>A</sub>=25°C

REVERSE VOLTAGE (<100 μA).....	4.0 V
D.C. FORWARD CURRENT .....	30 mA
PULSE CURRENT (1/10 DUTY CYCLE, 0.1 ms PULSE WIDTH) .....	100 mA
OPERATING TEMPERATURE RANGE .....	-25°C TO +85°C
STORAGE TEMPERATURE RANGE .....	-25°C TO +100°C
LEAD SOLDERING TEMP. (1.6mm FROM BODY) .....	260°C FOR 5 SEC

### Electrical/Optical Characteristics at T<sub>A</sub>=25°C

PART NUMBER	LED CHIP		LEN'S COLOR	PEAK WAVELENGTH @20mA(nm)	FORWARD VOLTAGE @20mA(V)		LUMINOUS INTENSITY @20mA(mcd)		VIEW ANGLE 2θ <sub>1/2</sub> (deg)
	MATERIAL	EMITTING COLOR			TYP.	MAX.	MIN.	TYP.	
LT3371-81	GaAlAs ON GaAs	RED	R.D.	660	1.7	2.2	70.6	117.6	41
LT3372-81	GaAlAs ON GaAs	RED	W.D.	660	1.7	2.2	70.6	117.6	41
LT3373-81	GaAlAs ON GaAs	RED	W.C.	660	1.7	2.2	24.0	400	26
LT3374-81	GaAlAs ON GaAs	RED	R.C.	660	1.7	2.2	24.0	400	26
LT3371-81-UR	GaAlAs ON GaAlAs	RED	R.D.	660	1.9	2.5	148.3	247.1	41
LT3372-81-UR	GaAlAs ON GaAlAs	RED	W.D.	660	1.9	2.5	148.3	247.1	41
LT3373-81-UR	GaAlAs ON GaAlAs	RED	W.C.	660	1.9	2.5	504.0	840.0	26
LT3374-81-UR	GaAlAs ON GaAlAs	RED	R.C.	660	1.9	2.5	504.0	840.0	26

(1) LENS COLOR

R.D. RED DIFFUSED

W.D. WHITE DIFFUSED

R.C. RED CLEAR

W.C. WATER CLEAR

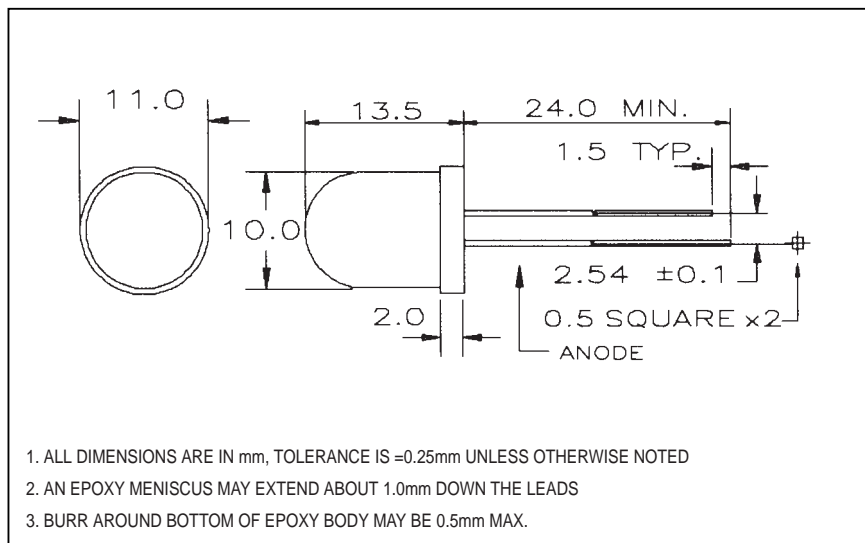
(2) SPECIFICATIONS ARE SUBJECT TO CHANGE

WITHOUT NOTICE.

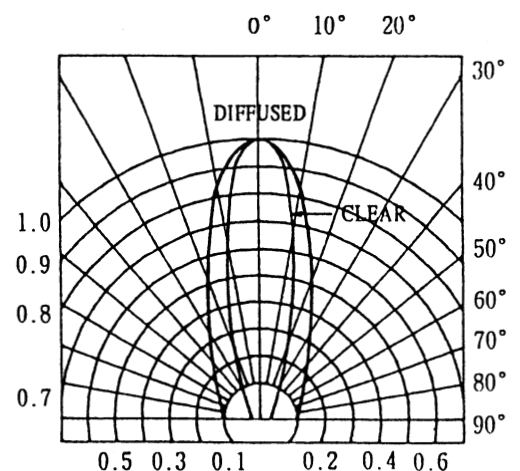
(3) ALL ABOVE COMPONENTS ARE CONSIDERED.

DEVIATIONS FROM STATED SPECIFICATIONS WILL REQUIRE A NEW PART NUMBER BE ASSIGNED.

### Package Dimensions



### Radiation Pattern



### Features

- \* BUILT-IN OSCILLATOR AND RESISTOR
- \* HIGH LIGHT OUTPUT
- \* RELIABLE AND RUGGED

### Absolute Maximum Ratings at T<sub>A</sub>=25°C

OPERATING VOLTAGE .....	3 TO 5.0 V
PEAK REVERSE VOLTAGE .....	0.4 V
OPERATING TEMPERATURE RANGE .....	0°C TO +70°C
STORAGE TEMPERATURE RANGE .....	-25°C TO +85°C
LEAD SOLDERING TEMP. (1.6mm FROM BODY) .....	260°C FOR 5 SEC

### Electrical/Optical Characteristics at T<sub>A</sub>=25°C

PART NUMBER	EMITTING COLOR	LEN'S COLOR	PEAK WAVELENGTH @5V (nm)	APPLIED VOLTAGE (V)		LUMINOUS INTENSITY @5V (mcd)		FLASHING FREQUENCY @5V (Hz)	VIEW ANGLE 2θ <sub>1/2</sub> (deg)
				TYP.	MAX.	MIN.	TYP.		
LT3373F-82-UR	RED	W.C.	660	3.0	5.0	135.0	225.0	2.4	30
LT3374F-82-UR	RED	R.C.	660	3.0	5.0	135.0	225.0	2.4	30

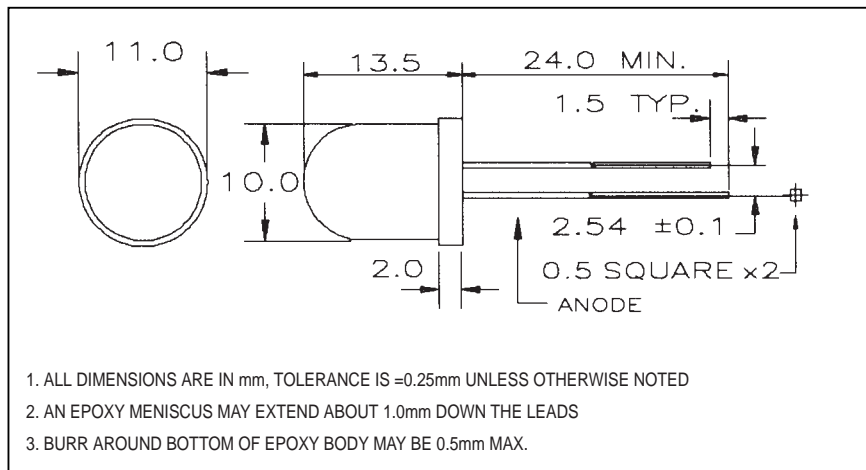
(1) LENS COLOR R.C. RED CLEAR  
W.C. WATER CLEAR

(2) SPECIFICATIONS ARE SUBJECT TO CHANGE WITHOUT NOTICE.

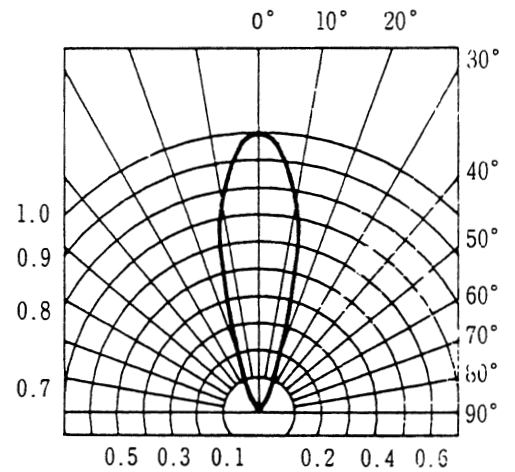
(3) ALL ABOVE COMPONENTS ARE CONSIDERED.

DEVIATIONS FROM STATED SPECIFICATIONS WILL REQUIRE A NEW PART NUMBER BE ASSIGNED.

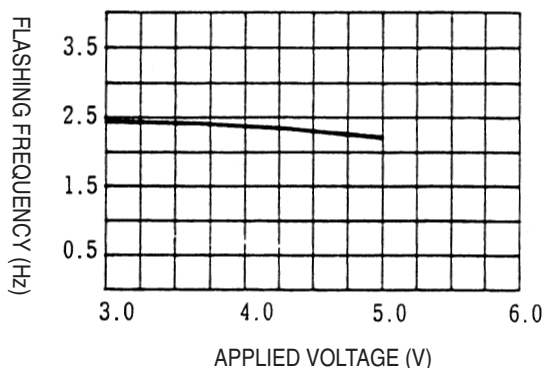
### Package Dimensions



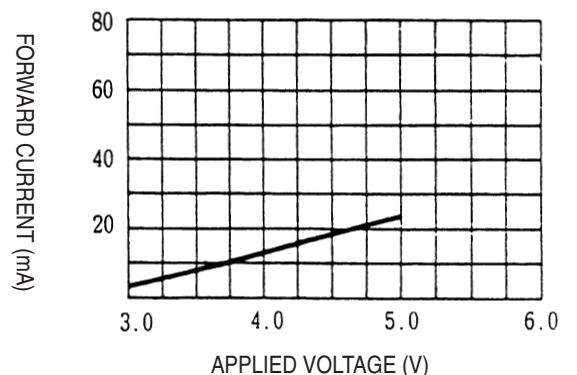
### Radiation Pattern



### Flashing Frequency VS. Applied Voltage



### Forward Current VS. Applied Voltage



### Features

- \* BUILT-IN OSCILLATOR AND RESISTOR
- \* HIGH LIGHT OUTPUT
- \* RELIABLE AND RUGGED

### Absolute Maximum Ratings at $T_A=25^\circ\text{C}$

OPERATING VOLTAGE .....	3 TO 5.0 V
PEAK REVERSE VOLTAGE .....	0.4 V
OPERATING TEMPERATURE RANGE .....	0°C TO +70°C
STORAGE TEMPERATURE RANGE .....	-25°C TO +85°C
LEAD SOLDERING TEMP. (1.6mm FROM BODY) .....	260°C FOR 5 SEC

### Electrical/Optical Characteristics at $T_A=25^\circ\text{C}$

PART NUMBER	EMITTING COLOR	LEN'S COLOR	PEAK WAVELENGTH @5V (nm)	APPLIED VOLTAGE (V)		LUMINOUS INTENSITY @5V (mcd)		FLASHING FREQUENCY @5V (Hz)	VIEW ANGLE $2\theta_{1/2}$ (deg)
				TYP.	MAX.	MIN.	TYP.		
LT3373F-91	RED	W.C.	660	3.0	5.0	52.6	87.7	2.4	40
LT3374F-91	RED	R.C.	660	3.0	5.0	52.6	87.7	2.4	40

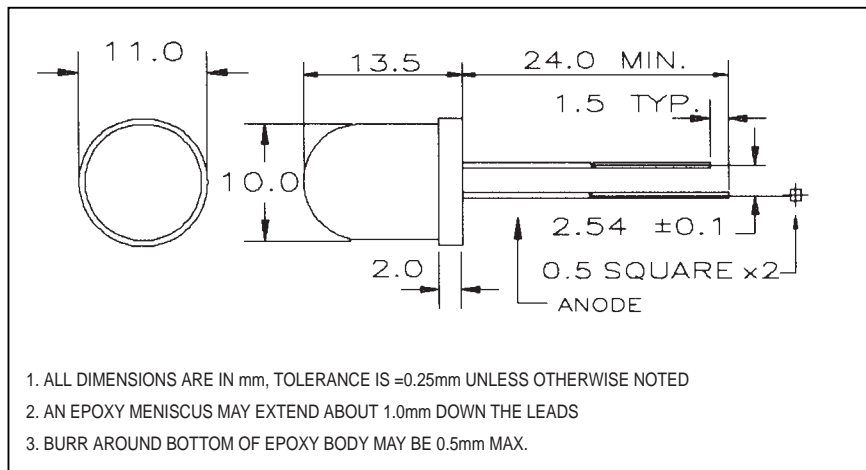
(1) LENS COLOR R.C. RED CLEAR  
W.C. WATER CLEAR

(2) SPECIFICATIONS ARE SUBJECT TO CHANGE WITHOUT NOTICE.

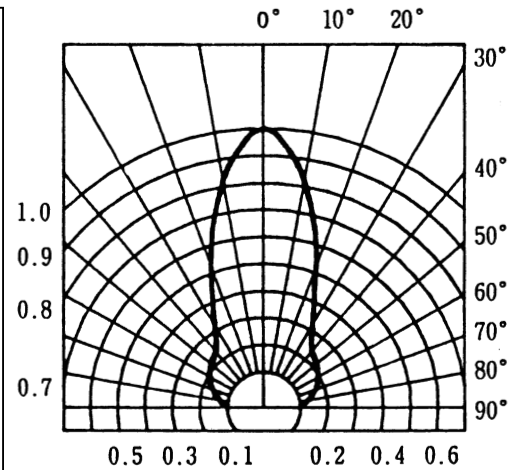
(3) ALL ABOVE COMPONENTS ARE CONSIDERED.

DEVIATIONS FROM STATED SPECIFICATIONS WILL REQUIRE A NEW PART NUMBER BE ASSIGNED.

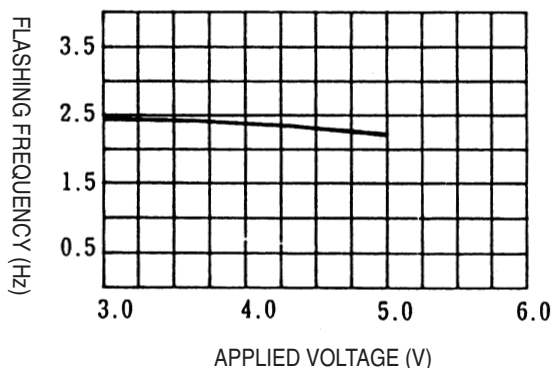
### Package Dimensions



### Radiation Pattern



### Flashing Frequency VS. Applied Voltage



### Forward Current VS. Applied Voltage

