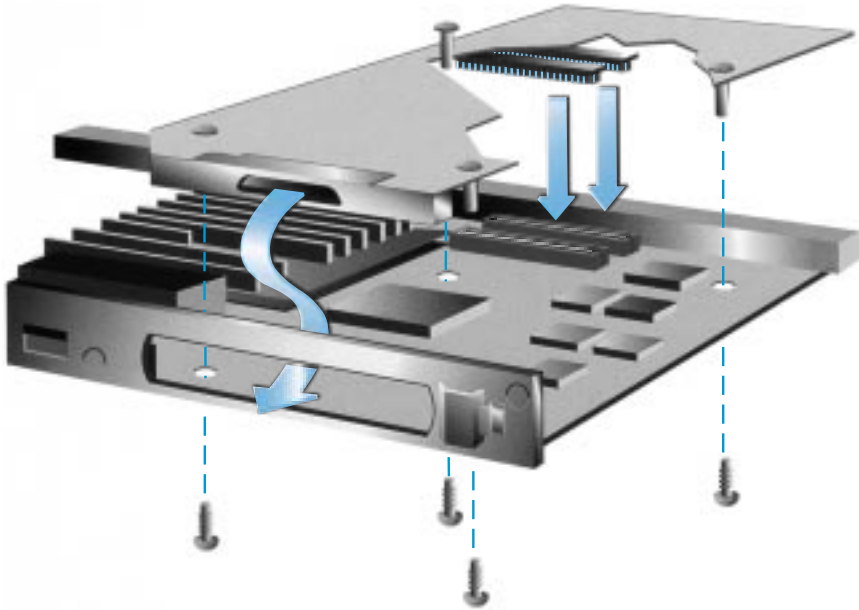


PCI Mezzanine Card Connector System



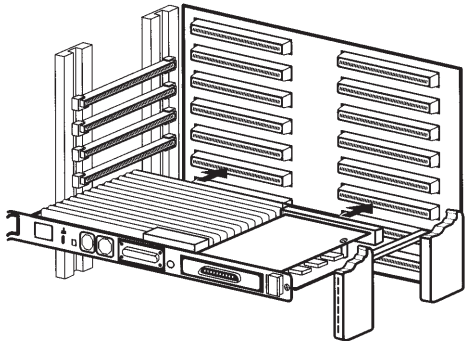
Elco's PCI Mezzanine Card Connector System enables designers to customize host CPU boards by adding PCI cards for additional functionality.

PRODUCT DESCRIPTION

The Elco 5015 series meets the requirements of IEEE P1386 and EIA-700-AAAB for use in the Common Mezzanine Card (CMC) and the PCI Mezzanine Card (PMC) stacking application. The 1,0 mm pitch, leaf contact, 64 pin, surface mount connector can be used with standard PCI & S-bus mezzanine cards in 64, 128, 192, or 256 circuit combinations with stack heights of 8 through 15mm. It is compatible with connectors supporting the IEEE 1386 standard. The 5015 series is especially suited for use in multiple connector applications in combinations of 64 circuits in VME, Futurebus+ and other environments benefitting from standardized mezzanine interconnect.

TECHNICAL SPECIFICATIONS

Voltage Rating	250V
Current Rating	1.0A
Insulation Resistance	1G Ohm min.
Operating Temperature	-55°C to 85°C
Insulation Material	LCP GF UL94V-0
Contact Material	Phosphor bronze, Gold mating area, Tin lead tail
Mating Cycles	100 cycle
Mating Force	4.0Kg Max
Unmating Force	1.5Kg Max



Elco offers PCI Mezzanine card connectors for stacking heights of 8 to 15mm.

ORDERING CODE

Height	Plug	Receptacle
8mm	14 5015 064 X00 863	24 5015 064 X00 863
9mm	14 5015 064 X01 863	24 5015 064 X00 863
10mm	14 5015 064 X02 863	24 5015 064 X00 863
11mm	14 5015 064 X01 863	24 5015 064 X02 863
12mm	14 5015 064 X02 863	24 5015 064 X02 863
13mm	14 5015 064 X02 863	24 5015 064 X03 863
14mm	14 5015 064 X01 863	24 5015 064 X05 863
15mm	14 5015 064 X02 863	24 5015 064 X05 863

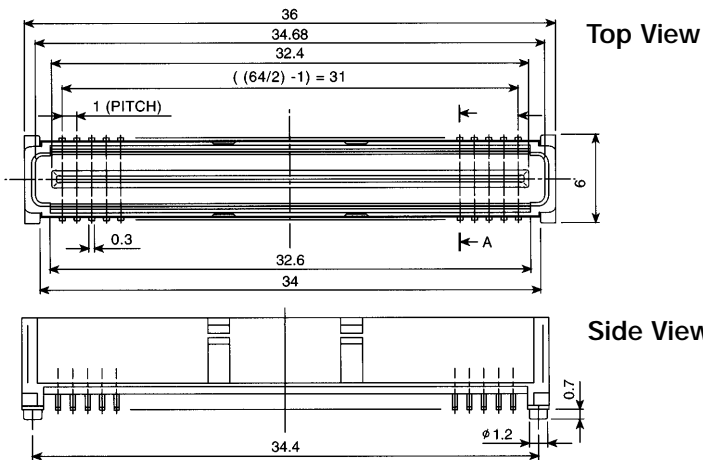
8mm, 10mm, 13mm, and 15mm parts are available. Consult the factory for other stack heights.
X: 0-Without Boss 1-With Boss

ELCO

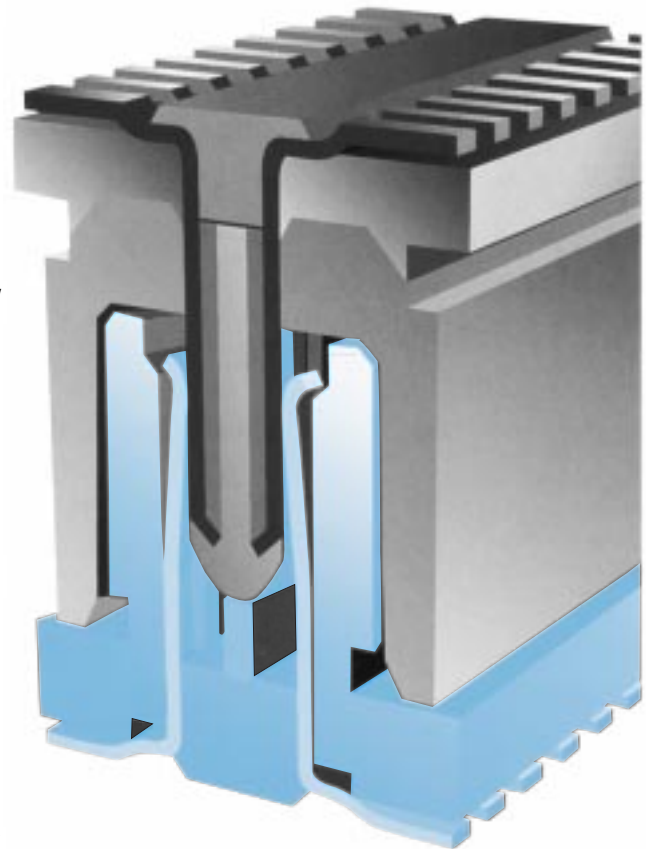
PCI Mezzanine Card Connector System



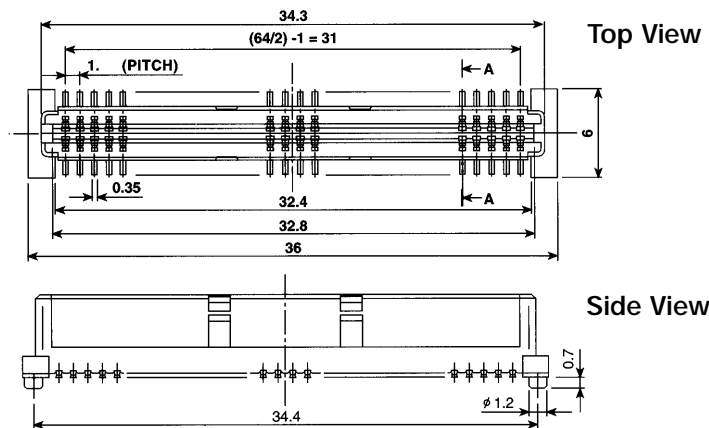
PLUGS



CROSS SECTION



RECEPTACLES



Elco's robust leaf style contact design provides secure mating of mezzanine boards.

NOTICE: Specifications are subject to change without notice. Contact your nearest AVX Sales Office for the latest specifications. All statements, information and data given herein are believed to be accurate and reliable, but are presented without guarantee, warranty, or responsibility of any kind, expressed or implied. Statements or suggestions concerning possible use of our products are made without representation or warranty that any such use is free of patent infringement and are not recommendations to infringe any patent. The user should not assume that all safety measures are indicated or that other measures may not be required. Specifications are typical and may not apply to all applications.



USA

CORPORATE HEADQUARTERS

AVX Myrtle Beach, SC
Tel: 843-448-9411
FAX: 843-448-1943

AVX Northwest, WA
Tel: 360-669-8746
FAX: 360-699-8751

AVX North Central, IN
Tel: 317-848-7153
FAX: 317-844-9314

AVX Northeast, MA
Tel: 508-485-8114
FAX: 508-485-8471

AVX Mid-Pacific, CA
Tel: 408-436-5400
FAX: 408-437-1500

AVX Southwest, AZ
Tel: 602-834-7919
FAX: 602-834-8078

AVX South Central, TX
Tel: 972-669-1223
FAX: 972-669-2090

AVX Southeast, NC
Tel: 919-878-6357
FAX: 919-878-6462

AVX Canada
Tel: 905-564-8959
FAX: 905-564-9728

EUROPE

EUROPEAN HEADQUARTERS

AVX Limited, England
Tel: +44 (0)1252 770000
FAX: +44 (0)1252 770001

AVX S.A., France
Tel: +33 (1) 69.18.46.00
FAX: +33 (1) 69.28.73.87

AVX GmbH, Germany - AVX
Tel: +49 (0) 8131 9004-0
FAX: +49 (0) 8131 9004-44

AVX GmbH, Germany - Elco
Tel: +49 (0) 2741 2990
FAX: +49 (0) 2741 299133

AVX srl, Italy
Tel: +39 (0)2 665 00116
FAX: +39 (0)2 614 2576

AVX Ltd., Israel
Tel: +972 (0)9957 3873
FAX: +972 (0)9957 3853

AVX sro, Czech Republic
Tel: +420 (0)467 558340
FAX: +420 (0)467 2844

ASIA-PACIFIC

ASIA-PACIFIC HEADQUARTERS

AVX/Kyocera, Singapore
Tel: (65) 258-2833
FAX: (65) 350-4880

AVX/Kyocera, Hong Kong
Tel: (852) 2-363-3303
FAX: (852) 2-765-8185

AVX/Kyocera, Korea
Tel: (82) 2-785-6504
FAX: (82) 2-784-5411

AVX/Kyocera, Taiwan
Tel: (886) 2-2516-7010
FAX: (886) 2-2506-9774

AVX/Kyocera, China
Tel: (86) 21-6249-0314-16
FAX: (86) 21-6249-0313

AVX/Kyocera, Malaysia
Tel: (60) 4-228-1190
FAX: (60) 4-228-1196

Kyocera, Japan
Tel: (81) 75-592-3897
FAX: (81) 75-501-4936