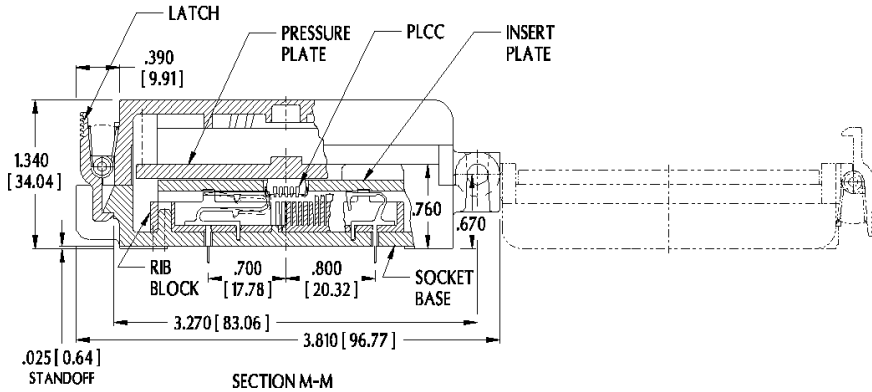




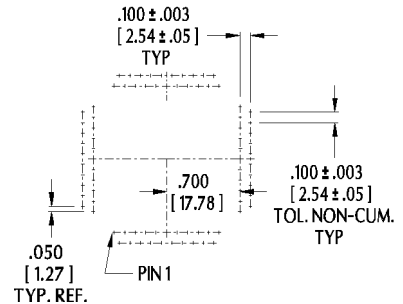
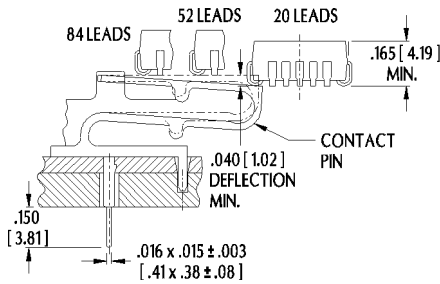
Series 537 Universal PLCC ZIF Test Socket "Live Bug" Type (cont.)

All tolerances $\pm .005$ [.13]
unless otherwise specified



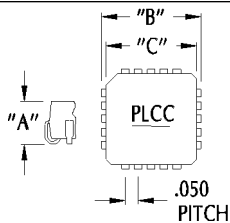
SIDE VIEW

CONTACT DETAIL

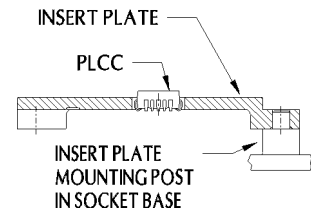


**Top View Footprint
84 Pin Terminals**

PLCC DIMENSIONS



- Overall height: "A" = .165-.200 [4.19-5.08]
- Overall width: "B" = .385-1.195 [9.78-30.35]
- Body width: "C" = .350-1.159 [8.89-29.44]



ORDERING INFORMATION

Specify Part No.
84-537-21 when ordering

Specify Part No.
84-537-21-7 when ordering with
all seven insert plates

7 Insert plates
XX-537-20 are available
for each PLCC lead
count. Consult Data
Sheet No. 10012.

See Data Sheet No. 10010 for
additional information.



ARIES
ELECTRONICS, INC.

<http://www.arieselec.com> • info@arieselec.com

NORTH AMERICA
Frenchtown, NJ USA
TEL: (908) 996-6841
FAX: (908) 996-3891

UK/SCANDINAVIA/IRELAND
Milton Keynes, GB
TEL: +44 1908 260007
FAX: +44 1908 260008

EUROPE (MAINLAND)
Papendrecht, Holland
TEL: +31 78 615 94 65
FAX: +31 78 615 43 11

10011
REV.A