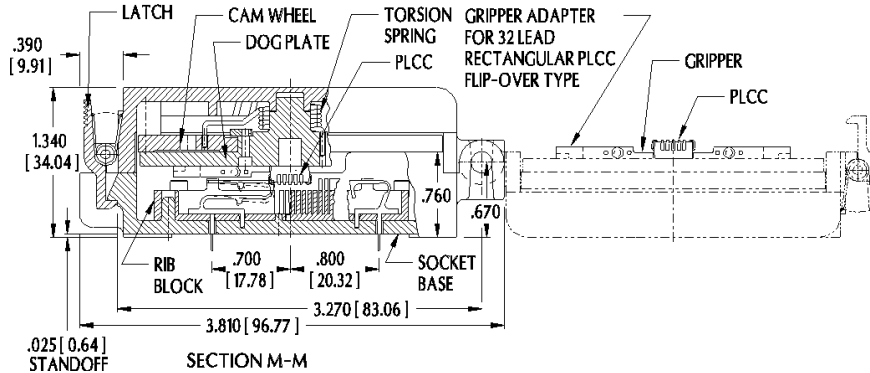




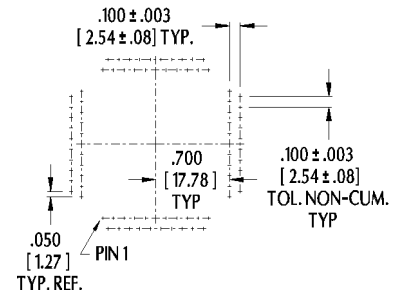
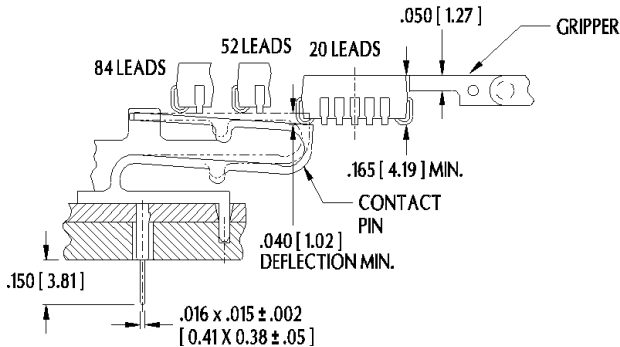
# Series 537 Universal PLCC ZIF Test Socket "Dead Bug" Type

All tolerances  $\pm .005$  [.13]  
unless otherwise specified



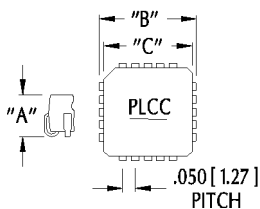
**SIDE VIEW**

## CONTACT DETAIL

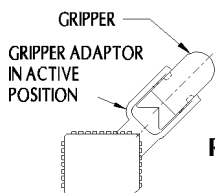


**Top View Footprint  
84 Pin Terminals**

## PLCC DIMENSIONS



- Overall height: "A" = .165-.200 [4.19-5.08]
- Overall width: "B" = .385-1.195 [9.78-30.35]
- Body width: "C" = .350-1.159 [8.89-29.44]



**Rectangular PLCC  
32 leads shown**

## ORDERING INFORMATION

Specify Part No.  
84-537-11 when ordering

See Data Sheet No. 10008  
for additional information.



**ARIES**  
ELECTRONICS, INC.

<http://www.arieselec.com> • [info@arieselec.com](mailto:info@arieselec.com)

NORTH AMERICA  
Frenchtown, NJ USA  
TEL: (908) 996-6841  
FAX: (908) 996-3891

UK/SCANDINAVIA/IRELAND  
Milton Keynes, GB  
TEL: +44 1908 260007  
FAX: +44 1908 260008

EUROPE (MAINLAND)  
Papendrecht, Holland  
TEL: +31 78 615 94 65  
FAX: +31 78 615 43 11

10009  
REV.A